
**TIMS ADVANCED MODULES and
TIMS SPECIAL APPLICATIONS MODULES
USER MANUAL**

Telecommunications Instructional Modelling System

**TIMS ADVANCED MODULES and TIMS SPECIAL APPLICATION MODULES
USER MANUAL**

Issue Number 3.2 August 2001

All specifications are subject to change without notice.

Published by:

Emona Instruments Pty Ltd
86 Parramatta Road
Camperdown NSW 2050
Sydney AUSTRALIA

COPYRIGHT © 1991 - 2001 by EMONA INSTRUMENTS PTY LTD

TIMS is a registered trademark of AMBERLEY HOLDINGS PTY LTD

Printed in Australia

CONTENTS

Part I	TIMS INTRODUCTION	1
	TIMS OVERVIEW	
	SYSTEM CONVENTIONS	2
	Front Panel Sockets	
	Plug-in Modules	
	Labelling	
	Advanced Module Set Number 1 Module List	3
Part II	ADVANCED MODULES USER INSTRUCTIONS	
	Baseband Channel Filters	4
	Decision Maker	6
	Delta Modulation Utilities	12
	Delta Demodulation Utilities	18
	Error Counting Utilities	22
	Line Code & Partial Response Encoder	25
	Line Code & Partial Response Decoder	30
	Noise Generator	32
	Wideband True RMS Volt Meter	33
	100kHz Channel Filters	34
	Spectrum Analyser Utilities	35
	PCM Encoder	38
	PCM Decoder	43
	Block Code Encoder	46
	Block Code Decoder	49
	Convolutional Code Encoder	53
	Convolutional Code Decoder	62
	Integrate & Dump	67
	Trellis Code Modulation Decoder	71
	Bit Clock Regeneration	78
	FM Utilities	81
	M-Level Encoder	83
	M-Level Decoder	87
	Digital Utilities	96
	Quadrature Utilities	97
	Speech Module	98
	Multiple Sequences Source	100
	CDMA Decoder	103
Part III	SPECIAL APPLICATIONS MODULES USER INSTRUCTIONS	
	100kHz Tx Antenna	106
	100kHz Rx Antenna Utilities	107
	Fibre Optics Transmitter	109
	Fibre Optics Receiver	110

TIMS INTRODUCTION

TIMS OVERVIEW

TIMS is a telecommunications modelling system. It models mathematical equations representing electrical signals, or block diagrams representing telecommunications systems.

TIMS is primarily a hands-on rather than demonstration style teaching system, which combines both the theoretical and practical aspects of implementing systems. We are confident that TIMS will provide the student with a clearer understanding of the concepts behind telecommunications theory.

Physically, TIMS is a dual rack system. The top rack accepts up to 12 Eurocard sized, compatible "black boxes", or modules. The lower rack houses a number of fixed modules, as well as the system power supply.

The modules are very simple electronic circuits, which function as basic communications building blocks. Each module, fixed or plug-in, has a specific function; basic functions fall into three general categories:

Signal Generation - oscillators, etc

Signal Processing - multipliers, filters, etc

Signal Measurement - frequency counter

Modules are patched together via the front panel sockets using interconnecting leads, to model the system under investigation.

TIMS OPTIONAL ADVANCED MODULES

The TIMS Advanced Modules add to the range and depth of experiments that can be carried out by students and lecturers on the TIMS system. These Advanced Modules fall into two main groups:

Digital Signal Processing - TMS320C50 and TMS320C10 based

Specialised Modules - with specific building block functions

This manual covers a particular group of optional Specialised Modules only.

SYSTEM CONVENTIONS

All TIMS modules conform to the following mechanical and electrical conventions.

A - FRONT PANEL SOCKETS

Signal interconnections are made via front panel, 4mm sockets

Sockets on the **LEFT HAND SIDE** are for signal **INPUTS**.

All inputs are high impedance, typically 56k ohms.

Sockets on the **RIGHT HAND SIDE** are for signal **OUTPUTS**.

All outputs are low impedance, typically 330 ohms.

YELLOW sockets are only for **ANALOG** signals.

ANALOG signals are held near the TIMS standard reference level of 4V pk-pk.

RED sockets are only for **DIGITAL** signals.

DIGITAL signals are TTL level, 0 to 5 V.

GREEN sockets are all common, or system **GROUND**.

Note that input and output impedances are intentionally mismatched, so that signal connections may be made or broken without changing signal amplitudes at module outputs.

B - PLUG-IN MODULES

Any plug-in module may be placed in any of the 12 positions of the upper rack. All modules use the back plane bus to obtain power supply : only the DSP modules (not part of the BASIC SYSTEM) use the bus to transfer signals. The modules are designed so that they may be plugged-in or removed at any time, without turning off the system power. The modules are not locked into position and may need to be held while interconnecting leads are removed.

C - LABELLING

All modules are identified as to the function they perform.

Inputs, outputs, controls and switches are labelled so that a student who has had only a brief introduction to TIMS can use the modules without needlessly referring back to this USER MANUAL.

It should be noted that no variable controls have calibration marks. This is intentional, as the philosophy behind TIMS is that students setup and adjust systems by observing and measuring signals. This assists the student in gaining a much greater understanding, feel and insight into the operation of a communications implementation.

D - ADVANCED MODULES LIST

Below are listed all the TIMS ADVANCED MODULES.

- Baseband Channel Filters
- Decision Maker
- Delta Modulation Utilities
- Delta Demodulation Utilities
- Error Counting Utilities
- Line-Code & Partial Response Encoder
- Line-Code & Partial Response Decoder
- Noise Generator
- True RMS Volt Meter
- 100kHz Passband Channel Filter
- Spectrum Analyser Utilities
- PCM Encoder
- PCM Decoder
- Block Code Encoder
- Block Code Decoder
- Convolutional Code Encoder
- Convolutional Code Decoder
- Integrate & Dump
- Trellis Code Modulation Decoder
- Bit Clock Regeneration
- FM Utilities
- M-Level Encoder
- M-Level Decoder
- Digital Utilities
- Quadrature Utilities
- Speech Module
- Multiple Sequences Source
- CDMA Decoder

E - SPECIAL APPLICATIONS MODULE LIST

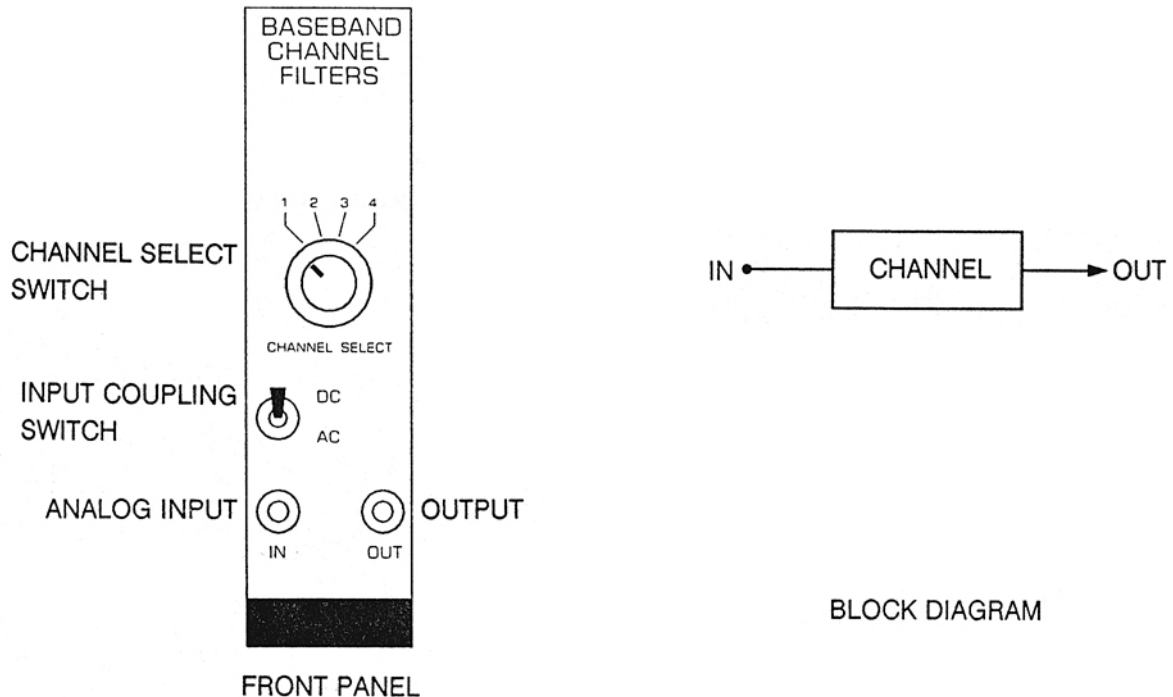
Below are listed all the TIMS SPECIAL APPLICATIONS MODULES.

- 100kHz Tx Antenna
- 100kHz Rx Antenna Utilities
- Fibre Optics Transmitter
- Fibre Optics Receiver

BASEBAND CHANNEL FILTERS

(PULSE SHAPING FILTERS)

Four switch selectable, baseband channels are provided, comprising three different filters and one straight-through connection. Each of the three filters has a **stop-band frequency** of near 4kHz.



USE

Only one channel may be selected and used at a time.

Note that each of the four channels may be AC or DC coupled by front panel toggle switch.

CHANNEL CHARACTERISTICS

Before using any of these four channels in experiments, each channel should be characterised by actual measurement of amplitude and phase responses. As a minimum, the **cut-off** and **stop-band** frequencies should be measured, using the AUDIO OSCILLATOR and TRUE RMS METER modules or an oscilloscope.

COMPARISONS

AMPLITUDE AND PHASE VERSUS FREQUENCY

It is useful to compare the amplitude and phase response of each channel with the 7th order elliptic TUNEABLE LOWPASS FILTER module (a standard module from of the BASIC MODULE SET). Compare against the same **cut-off** frequency by adjusting the TUNEABLE LOWPASS FILTER's cut-off frequency to match each channel's cut-off frequency.

EYE DIAGRAMS

Observing the EYE DIAGRAMS of digital data signals passing through the above selection of filters will illustrate each filter's (hence, channel's) performance.

BASIC SPECIFICATIONS

Input coupling AC or DC, channels 1 to 4

Channel responses

Channel 1 straight-through

Channel 2 Butterworth, 7th order

Channel 3 Bessel, 7th order

Channel 4 *OpFil Linear Phase* *, 7th order

Stop-band attenuation approx 40dB, 4kHz

Passband ripple 0.5dB

* *OpFil Linear Phase* filter is a proprietary filter design having a sharp roll-off characteristic with a linear phase response in the passband. This filter was designed by Optimum Filters Pty Ltd, Sydney, Australia.

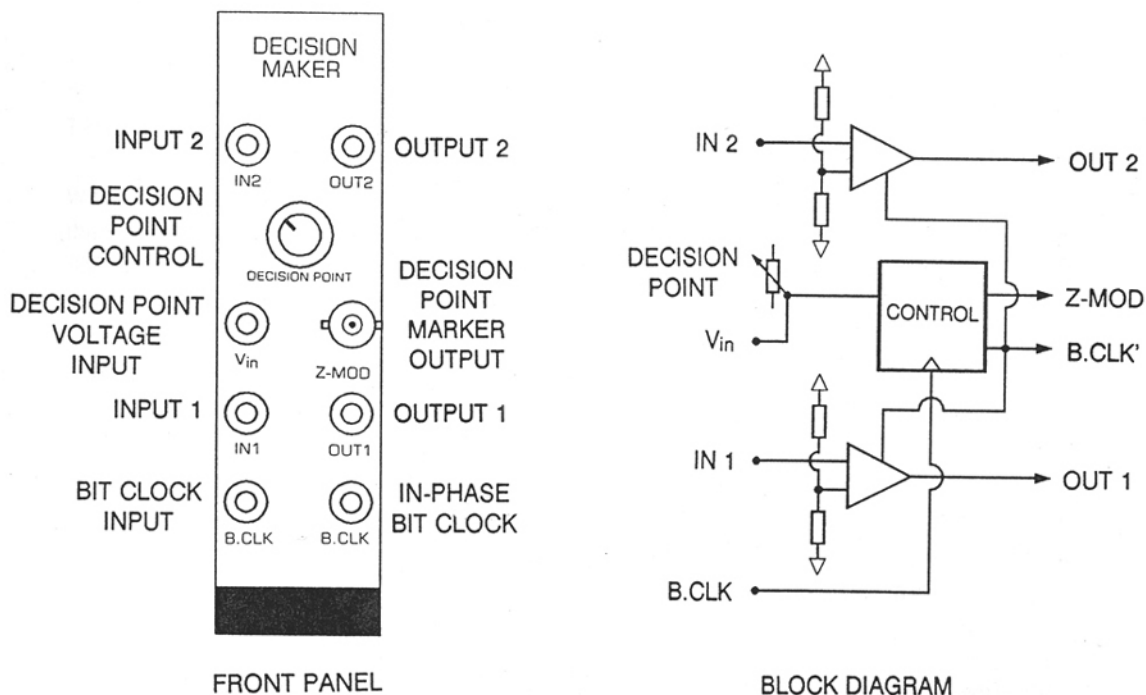
DECISION MAKER

DECISION MAKER SECTION GUIDE

USER INFORMATION	6
BASIC SPECIFICATIONS	8
TECHNICAL DETAILS	9
* QUICK OPERATION GUIDE	10

Digital signals may become corrupted by noise and interference in the communications channel. After demodulation or receiver filtering, a corrupted digital signal would need to be squared and converted to a clean digital waveform with an associated in phase bit clock, so that further digital processing, decoding or message recovery can be performed. The tasks of squaring the corrupted digital signal and aligning the bit clock can be carried out by the DECISION MAKER module.

The DECISION MAKER module accepts up to two TTL, unipolar or bipolar level, baseband digital signals and a synchronised bit clock. The input signals are sampled at a point determined by the user and are output as clean digital signals, along with an in-phase and synchronised bit clock. Using an oscilloscope, the decision point is displayed as a bright marker on the input digital waveform.



USE

INPUTS IN1 & IN2

IN1 and IN2 will each accept an incoming digital signal. If only one digital signal is available, then either input may be used: leave the unused input unconnected. When a digital signal is connected to each input, then both signals must have the same waveform format. Ensure the amplitudes of the input digital signals are within TIMS standard limits of +/-2V bipolar, +2V & 0V unipolar and +5V & 0V TTL.

WAVEFORM FORMAT SELECTION

The correct waveform format must be selected prior to using the DECISION MAKER MODULE. The user has a choice of eight bipolar and unipolar waveforms (Line-Codes) as well as standard TTL waveforms.

Set switch SW1 to the required waveform format position. SW1 is a PCB mounted, ten position rotary switch at the rear of the module.

BIT CLOCK and OUTPUTS OUT1 & OUT2

This DECISION MAKER module primarily operates with bit clocks of around 2kHz. The input bit clock, B.CLK, must be synchronised to the input digital signal(s) and so should be either regenerated from an input digital signal or may be "stolen" from the transmitter.

The output bit clock, B.CLK, is synchronised and aligned with the output bit stream(s) in the following manner: each new bit occurs on the negative (falling) B.CLK edges. The position of the output bit clock's negative edge is determined by the DECISION POINT control.

DECISION POINT CONTROL

The DECISION POINT is the point at which the incoming digital data is sampled. At the sampling time, a decision is made as to whether the sample is "HI" or "LO" and the result is output to the corresponding output, OUT1 or OUT2.

If a digital signal is present at each input, then both are sampled simultaneously: the results are also output simultaneously.

The user has direct control over the position of the DECISION POINT across the bit width. The threshold voltages for the decision are set by fixed resistors. The threshold voltages are listed in TABLE DMK-1. See TECHNICAL DETAILS SECTION for more information.

With an input bit clock of 2kHz, the DECISION POINT can be moved continuously across more than 90% of the bit width. The DECISION POINT can be moved by either front panel control (INTERNAL control) or by external DC voltage applied to input Vin, (EXTERNAL control). Sliding switch SW2, located on the PCB, selects INTERNAL or EXTERNAL control mode.

The DECISION POINT can be displayed on an oscilloscope as a bright marker, by viewing the input digital waveform and connecting the Z-MODULATION output to the 'scope.

The DECISION POINT always moves with respect to the input bit clock. So in order to see the bright DECISION POINT marker move across the digital waveform or EYE DIAGRAM, then the 'scope MUST be triggered by either the input sequence's SYNC or by the INPUT bit clock.

SPECIAL NOTE

The RZ and Biphase Line-Codes may be referred to as "HALF WIDTH" waveforms, while the other Line-Codes including TTL would be referred to as "FULL WIDTH" waveforms. Care must be taken when moving the DECISION POINT across the "HALF WIDTH" waveforms, as only half the "bit width" usually carries useful information. In the "HALF WIDTH" case, determining which half of the bit width the DECISION POINT has been positioned can be seen by observing the Bit Error Rate or by viewing the actual input waveform, rather than by the EYE DIAGRAM. See TABLE DMK-1 for the list of waveforms and their width description.

Table DMK-1 lists the supported waveforms, their thresholds, output levels and bit width descriptions.

WAVEFORM FORMAT SE- LECTED	THRESHOLDS	OUTPUT LEVEL	CODE BIT WIDTH DESCRIPTION
NRZ-TTL	V+	0, +5v	FULL
NRZ-L	V _O	+/- 2V	FULL
NRZ-M	V _O	+/- 2V	FULL
UNI-RZ	V+	0, +2V	HALF
BIP-RZ	V+, V-	0, +/- 2V	HALF
RZ-AMI	V+, V-	0, +/- 2V	HALF
BiO-L	V _O	+/- 2V	HALF
DICODE	V+, V-	0, +/- 2V	FULL
DUOBINARY	V+, V-	0, +/- 2V	FULL

TABLE DMK-1

Default threshold settings are: V+ = approx 1V; V- = approx -1V; V_O = approx 0V

Z-MODULATION OUTPUT

The Z-MODULATION output provides a pulse at the DECISION POINT. These pulses may be viewed on the 'scope screen or may be connected to the 'scope's Z-modulation input. Refer to the TECHNICAL DETAILS SECTION regarding setting-up Z-modulation, if required.

BASIC SPECIFICATIONS

Digital waveform inputs two, IN1 and IN2

Digital waveform outputs two, OUT1 and OUT2

Input/Output levels depend upon the waveform format selected:

TTL : +5V, 0V

Unipolar : +2V, 0V

Bipolar : +/-2V

Waveform format selection by 10 position rotary switch, SW1

Waveform formats supported NRZ-TTL, NRZ-L, NRZ-M, UNI-RZ, BIPOLAR-RZ, RZ-AMI, BIPHASE-L, DICODE, DUOBINARY

Bit Clock input, B.CLK TTL level, nominally 2kHz;

operational 250Hz to 3.5kHz, performance not specified

Bit Clock output, B.CLK synchronised to the OUTput waveform; negative Bit Clock edge aligned with each new output bit

Decision point span > 90% of bit width, with 2kHz B.CLK

DECISION POINT control selection INTERNAL or External, by switch SW2

DECISION POINT control continuous, by front panel knob (INT),

or, 0 to 5V DC EXTERNAL input signal (EXT) at Vin

Z-MODULATION level three modes available, with variable level control (see Technical Details)

Z-MODULATION pulse width 2µs typical

TECHNICAL DETAILS

Z-MODULATION

Three Z-modulation modes are supported, with variable level control. Each mode is selected by positioning jumper, J1. Trimmer, RV2, controls the level of the output signal.

MODE A (position J1A)

normal intensity: +5V

bright intensity: 0V

MODE B (position J1B)

normal intensity: 0V

bright intensity: -5V

MODE C (position J1-C)

normal intensity: 0V

bright intensity: +5V

In each case, trimmer RV2 will control the level of the "bright intensity".

DECISION POINT THRESHOLDS

The three voltage thresholds V_+ , V_- and V_O are set by fixed resistors. These can be changed if required, for specific applications, as follows,

$$V_+ = 15 \times (R_2)/(R_2 + R_5)$$

default values $R_2 = 10\text{k}\Omega$, $R_5 = 680\Omega$

$$V_- = -15 \times (R_6)/(R_6 + R_3)$$

default values $R_3 = 10\text{k}\Omega$, $R_6 = 680\Omega$

$$V_O = 15 \times (R_4)/(R_4 + R_1)$$

default values $R_1 = 56\text{k}\Omega$, $R_4 = 100\Omega$

BIT CLOCK

The DECISION MAKER module was specifically designed to operate with the TMS standard 2.083kHz available from the MASTER SIGNALS module. The 2.083kHz sinewave must be converted to TTL using the UTILITIES module's COMPARATOR. Alternatively, the 8.33kHz TTL signal can be divided by 4 using the LINE-CODE ENCODER module.

Other clock rates will function but the DECISION POINT adjustment range will be affected. If the clock is increased, then the range will not extend across the full bit width. Conversely, if the clock is decreased, the range will extend across neighbouring bit widths and become unspecified.

QUICK OPERATION GUIDE

A - Viewing the operation of the DECISION MAKER

For example, a SEQUENCE GENERATOR and TUNEABLE LOWPASS FILTER as the source of a "corrupted" digital stream make an ideal demonstration signal.

1. Select the appropriate digital waveform being used for the experiment, at rotary switch SW1, which is located at the rear of the module.
2. Select the correct Z-modulation mode to suit your oscilloscope (See TECHNICAL DETAILS section on setting-up Z-modulation).
3. Select INT at DECISION switch, SW2, near the front of the module.
4. Connect the digital signal to IN1 and the bit clock to B.CLK input.
5. Connect the oscilloscope's EXTERNAL trigger input to the SYNC output of the SEQUENCE GENERATOR.
6. Connect the oscilloscope's Z-modulation input to Z-MODULATION output of the DECISION MAKER module.
7. Connect the 'scope CH1 to IN1 and CH2 to OUT1.
8. Turn the DECISION POINT control and observe the movement of the bright marker along the input waveform and see the resultant output waveform. Also compare with the original waveform from the SEQUENCE GENERATOR.

B - Viewing EYE DIAGRAMS with the DECISION MAKER

For example, a SEQUENCE GENERATOR and TUNEABLE LOWPASS FILTER as the source of a "corrupted" digital stream make an ideal demonstration.

1. Select the appropriate digital waveform being used for the experiment, at rotary switch SW1, which is located at the rear of the module.
2. Select the correct Z-modulation mode to suit your oscilloscope (See TECHNICAL DETAILS section on setting-up Z-modulation)
3. Select INT at DECISION switch, SW2, near the front of the module.
4. Connect the digital signal to IN1 and the bit clock to B.CLK input.
5. Connect the oscilloscope's EXTERNAL trigger input to B.CLK input.
6. Connect the oscilloscope's Z-modulation input to Z-MODULATION output of the DECISION MAKER module.

7. Connect the 'scope CH1 to IN1 and CH2 to OUT1.
8. Select a timebase such that one or two "EYE'S" are visible.
9. Turn the DECISION POINT control and observe the movement of the bright marker along the input waveform.

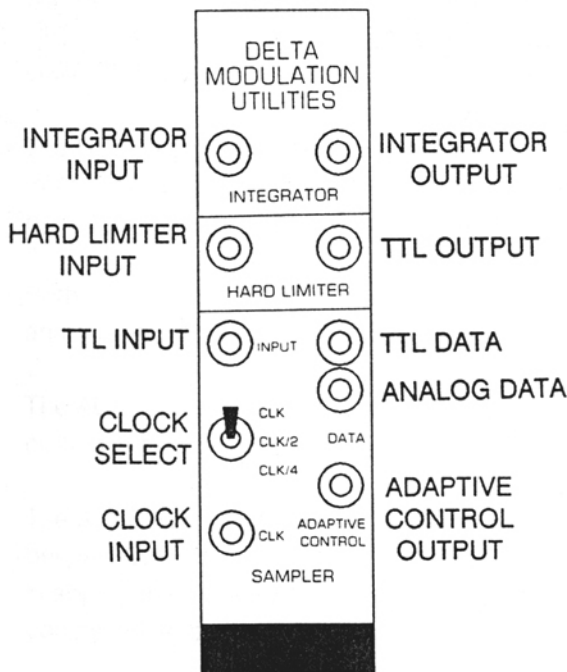
DELTA MODULATION UTILITIES

(one bit differential pulse code modulation, DPCM)

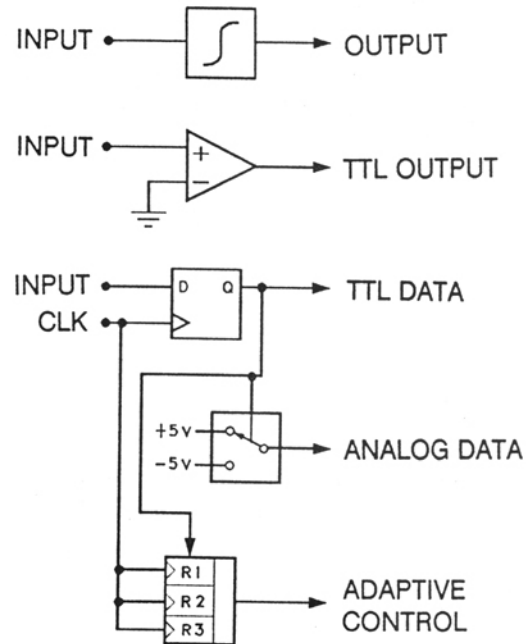
DELTA MODULATION UTILITIES SECTION GUIDE

USER INFORMATION	12
SETTING-UP	13
BASIC SPECIFICATIONS	14
INTEGRATOR OVERVIEW	15
* QUICK OPERATION GUIDE	16

Three independent building blocks are provided, which in conjunction with other TIMS modules, can be used to make a simple Delta Modulator, a Delta-Sigma (Average) Modulator or an Adaptive Delta Modulator. Both clock rate and step size can be varied in each of these modulators.



FRONT PANEL



BLOCK DIAGRAM

USE

Along with this DELTA MODULATION UTILITIES module and the modules which provide message and clock signals, two other standard TIMS modules are required to implement the three different Delta Modulation schemes.

To implement the simple Delta Modulator or the Delta-Sigma Modulator, a TIMS ADDER module is also required. For Adaptive Delta Modulation, both a TIMS ADDER and a TIMS MULTIPLIER module are required.

INTEGRATOR

The INTEGRATOR input accepts standard TIMS level signals. The input signal is integrated with INVERSION and then output. Its gain can be varied by selecting different switch settings at SW2: this has the effect of varying the modulator's STEP SIZE.

The INTEGRATOR'S feedback capacitor value is 47nF (C2). The input resistor's value is 5k6R (R11), when DIP switch SW2A and SW2B are both OFF. If DIP switch SW2A is ON, it will shunt another 5k6R resistor (R12) across the input resistor; similarly, if DIP switch SW2B is ON, it will shunt a 1k5R resistor (R13) across the input resistor. Either switches may be ON or OFF, in any combination.

HARD LIMITER

With a threshold of 0V (GROUND), the HARD LIMITER is in fact a zero crossing detector. There is no inversion. The input accepts standard TIMS level signals; the output is a TTL level waveform.

SAMPLER

The SAMPLER input takes in a TTL level signal, which it samples and then outputs at regular CLOCK intervals. The INPUT of the SAMPLER is usually connected directly to the HARD LIMITER'S output.

The CLOCK input is usually connected to the TIMS 100kHz MASTER SIGNALS TTL output. The front panel toggle switch selects the clock rate of the SAMPLER: division of the input CLOCK, by 1, 2 or 4, is carried out internally by the SAMPLER.

Both TTL and analog DATA are output. The TTL DATA is standard TTL level, +5V and 0V. The analog DATA level is approximately +5V and -5V.

The ADAPTIVE CONTROL output can be used at any time to observe when slope overload occurs. It is also used when implementing the Adaptive Delta Modulator.

The ADAPTIVE CONTROL signal becomes active at the third bit, if three successive bits have been all ONES (111) or all ZEROS (000). Under **normal** mode, the ADAPTIVE CONTROL voltage is approximately +2V DC. During **slope overload** conditions the ADAPTIVE CONTROL becomes active by increasing to approximately +4V DC.

SETTING-UP

FOR EACH DELTA MODULATOR SCHEMES

When implementing each of the three Delta Modulators, the ADDER module must always be set-up first. Initially, both of the ADDER'S gains MUST be set to unity.

FOR THE ADAPTIVE DELTA MODULATOR

A TIMS MULTIPLIER module is inserted at the INTEGRATOR'S input: the signal to the INTEGRATOR is multiplied by the voltage from the ADAPTIVE CONTROL output. Hence providing effective control over the INTEGRATOR'S gain.

BASIC SPECIFICATIONS

INTEGRATOR

Input frequency range 400Hz to 10kHz

Output integral of the input with inversion

Gain user selectable by DIP switch

HARD LIMITER

Input frequency range 10Hz to > 500kHz

Output TTL level

SAMPLER

Input TTL level, digital signal

Digital output TTL level, digital signal

Analog output bipolar digital signal, approx -5V and +5V

Clock input < 1kHz to > 500kHz

Clock selection divides input clock by 1, 2 or 4

Adaptive Control Output 2V normal mode, approx 4V adaptive mode

Adaptive Control Coincidence Condition 000 or 111; adaptive signal is active at the third bit, if three successive ONEs or three successive ZEROs have occurred.

INTEGRATOR OVERVIEW

A simple inverting integrator circuit is shown in figure DM- 1.

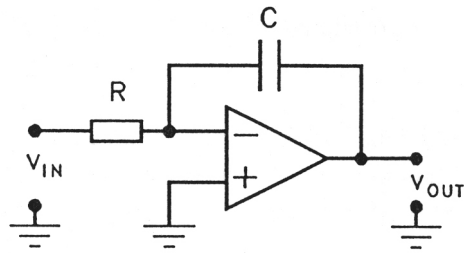


figure DM-1

Defining the current flowing through the R and C,

$$I_R = -I_C$$

therefore,

$$V_{IN}/R = -C dV_{OUT}/dt$$

Over a fixed interval, say T_s ,

$$-V_{OUT} = V_{IN}T_s/RC$$

When this is applied to the DELTA MODULATION UTILITIES module, then,

V_{IN} = SAMPLER analog DATA output, approximately +5V and -5V

T_s = the selected sample clock period

R = INTEGRATOR'S resistor, value determined by switch SW2

C = INTEGRATOR'S capacitor, fixed at 47nF +/- 5% (C2 on the PCB)

V_{OUT} = STEP SIZE

The value of the INTEGRATOR'S resistor is determined by switch SW2 according to figure DM-2,

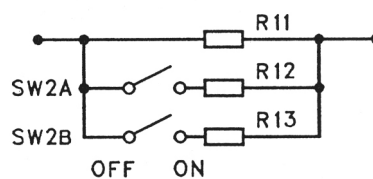


figure DM-2

values are,

where, default

$$R11 = 5k6R; R12 = 5k6R; R13 = 1k5R$$

The resistors have a basic tolerance of +/- 1%.

QUICK OPERATION GUIDE

SIMPLE DELTA MODULATOR

1. Initially use the MASTER SIGNALS module for synchronised message and clock signals. This will produce stable 'scope displays.
2. Take an ADDER module and using the 'scope adjust each input's gain to unity. (Apply a signal to one input only and adjust the gain so that the output and input amplitudes are equal, while leaving the other input not connected. Repeat the same procedure for the second input.)
3. Patch the 2kHz sinewave from the MASTER SIGNALS module to one of the ADDER'S inputs. Also patch the MASTER SIGNAL'S 100kHz TTL output to the SAMPLER'S clock input.
4. Patch the ADDER'S output to the HARD LIMITER'S input.
5. Patch the HARD LIMITER'S output to the SAMPLER'S input.
6. Patch the SAMPLER'S analog output to the INTEGRATOR'S input.
7. Finally, patch the INTEGRATOR'S output to the ADDER'S second input. This completes the simple Delta Modulator. When viewing signals around the modulator, it is advisable to trigger the 'scope with the 2kHz sinewave, message signal.

DELTA-SIGMA MODULATOR

This modulator's implementation is almost identical to the simple Delta Modulator. The only difference in patching is that the INTEGRATOR is moved to between the ADDER and HARD LIMITER.

1. Take an ADDER module and using the 'scope adjust each input's gain to unity.
2. Patch the 2kHz sinewave from the MASTER SIGNALS module to one of the ADDER'S inputs. Also patch the MASTER SIGNAL'S 100kHz TTL output to the SAMPLER'S clock input.
3. Patch the ADDER'S output to the INTEGRATOR'S input.
4. Patch the INTEGRATOR'S output to the HARD LIMITER'S input.
5. Patch the HARD LIMITER'S output to the SAMPLER'S input.
6. Finally, patch the SAMPLER'S analog output to the ADDER'S second input. This completes the Delta-Sigma Modulator. When viewing signals around the modulator, it is advisable to trigger the 'scope with the 2kHz sinewave, message signal.

ADAPTIVE DELTA MODULATOR

This modulator's implementation is almost identical to the simple Delta Modulator. The only difference in patching is that a MULTIPLIER is inserted between the SAMPLER and the INTEGRATOR.

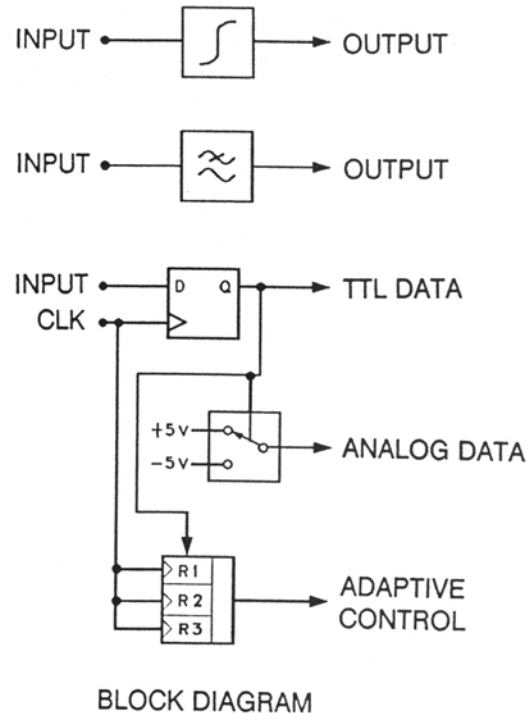
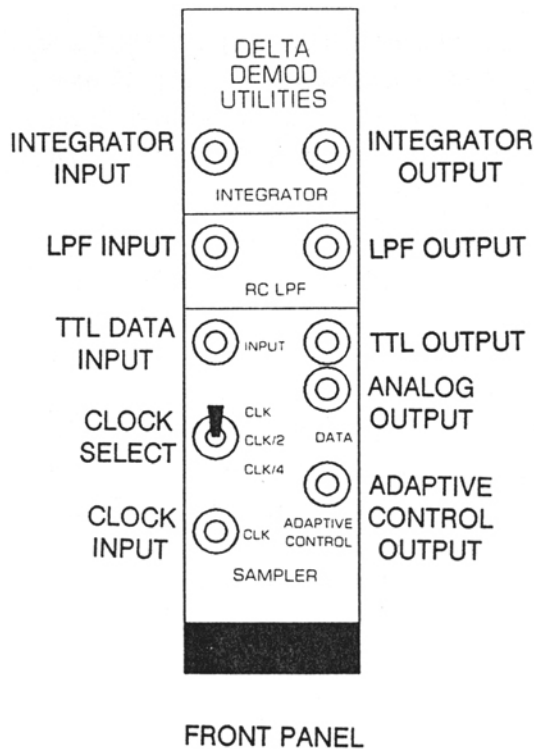
1. Take an ADDER module and using the 'scope adjust each input's gain to unity.

2. Patch the 2kHz sinewave from the MASTER SIGNALS module to one of the ADDER'S inputs. Also patch the MASTER SIGNAL'S 100kHz TTL output to the SAMPLER'S clock input.
3. Patch the ADDER'S output to the HARD LIMITER'S input.
4. Patch the HARD LIMITER'S output to the SAMPLER'S input.
5. Patch the SAMPLER'S analog output to one of the MULTIPLIER'S inputs. Patch the SAMPLER'S ADAPTIVE CONTROL output to the MULTIPLIER'S other input.
6. Patch the MULTIPLIER'S output to the INTEGRATOR'S input.
7. Finally, patch the INTEGRATOR'S output to the ADDER'S second input. This completes the Adaptive Delta Modulator. When viewing signals around the modulator, it is advisable to trigger the 'scope with the input 2kHz sinewave.

DELTA DEMODULATION UTILITIES

(one bit differential pulse code modulation, DPCM)

Three independent building blocks are provided, which in conjunction with other TIMS modules, can be used to investigate different methods of recovering the message from data generated by the simple Delta Modulator, the Delta- Sigma (Average) Modulator or the Adaptive Delta Modulator. Both clock rate and step size can be varied to match that of the modulator.



USE

INTEGRATOR

The INTEGRATOR input accepts standard TIMS level signals. The input signal is integrated with INVERSION and then output. Its gain can be varied by selecting different switch settings at SW2: this has the effect of varying the modulator's STEP SIZE.

The INTEGRATOR'S feedback capacitor value is 47nF (C2). The input resistor's value is 5k6R (R11), when DIP switch SW2A and SW2B are both OFF. If DIP switch SW2A is ON, it will shunt another 5k6R resistor (R12) across the input resistor; similarly, if DIP switch SW2B is ON, it will shunt a 1k5R resistor (R13) across the input resistor. Either switches may be ON or OFF, in any combination.

RC LPF

This is a simple RC circuit, with a cut-off frequency of about 2kHz. Both input and output are buffered.

SAMPLER

The SAMPLER input takes in a TTL level signal, which it samples and then outputs at regular CLOCK intervals. The incoming Delta Modulated data is connected to the SAMPLER'S INPUT.

The CLOCK input must be synchronised and in-phase with the incoming data. It may be locally regenerated or "stolen" from the modulator. The front panel toggle switch selects the clock rate of the SAMPLER: division of the input CLOCK, by 1, 2 or 4, is carried out internally by the SAMPLER.

Both TTL and analog DATA are output. The TTL DATA is available for reference purposes only. The bipolar analog DATA output is utilised by the other demodulator blocks. The output level is approximately +5V and -5V.

The ADAPTIVE CONTROL output can be used at any time to observe when slope overload occurs. It is also used when implementing the Adaptive Delta Demodulator.

The ADAPTIVE CONTROL signal becomes active at the third bit, if three successive bits have been all ONES (111) or all ZEROS (000). Under normal mode, the ADAPTIVE CONTROL voltage is approximately +2V DC. During slope overload conditions the ADAPTIVE CONTROL becomes active by increasing to approximately +4V DC.

SETTING-UP

FOR THE ADAPTIVE DELTA DEMODULATOR

A TMS MULTIPLIER module is inserted at the INTEGRATOR'S input: the signal to the INTEGRATOR is multiplied by the voltage from the ADAPTIVE CONTROL output. Hence providing effective control over the INTEGRATOR'S gain.

BASIC SPECIFICATIONS

INTEGRATOR

Input frequency range 400Hz to 10kHz

Output integral of the input with inversion

Gain user selectable by DIP switch

RC LPF

Cut-off frequency approximately 2kHz

Input and output buffered, standard TMS level

SAMPLER

Input TTL level, digital signal

Digital output TTL level, digital signal

Analog output bipolar digital signal, approx -5V and +5V

Clock input < 1kHz to > 500kHz

Clock selection divides input clock by 1, 2 or 4

ADAPTIVE CONTROL output 2V normal mode, approx 4V adaptive mode

ADAPTIVE CONTROL coincidence condition 000 or 111; adaptive signal is active at the third bit, if three successive ONEs or three successive ZEROs have occurred.

INTEGRATOR OVERVIEW

The DELTA DEMODULATOR'S INTEGRATOR is identical to the INTEGRATOR of the DELTA MODULATOR. Please refer to the INTEGRATOR OVERVIEW section of the DELTA MODULATION UTILITIES chapter for details.

QUICK OPERATION GUIDE

CLOCKED DELTA DEMODULATOR WITH INTEGRATOR

1. Patch the incoming TTL data to the SAMPLER'S input. Also patch the MASTER SIGNAL'S 100kHz TTL output to the SAMPLER'S clock input.
2. Patch the SAMPLER'S analog output to the INTEGRATOR'S input.
3. Finally, patch the INTEGRATOR'S output to a lowpass filter, say the TMS TUNEABLE LPF. This completes the Delta Demodulator.

CLOCKED DELTA DEMODULATOR WITH SIMPLE RC

This demodulator implementation is almost identical to the previous one. The only difference is that the INTEGRATOR is replaced with a simple RC LPF.

UNCLOCKED DELTA DEMODULATORS

These may be implemented by connecting the TTL data directly to an INTEGRATOR or RC LPF.

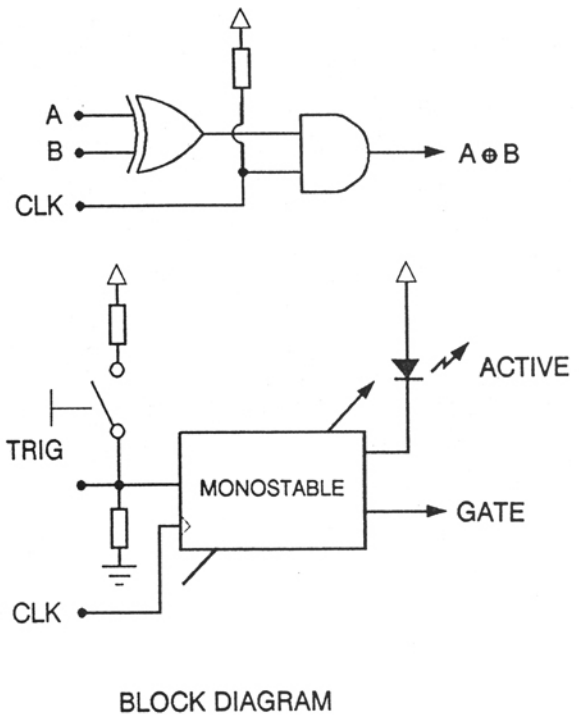
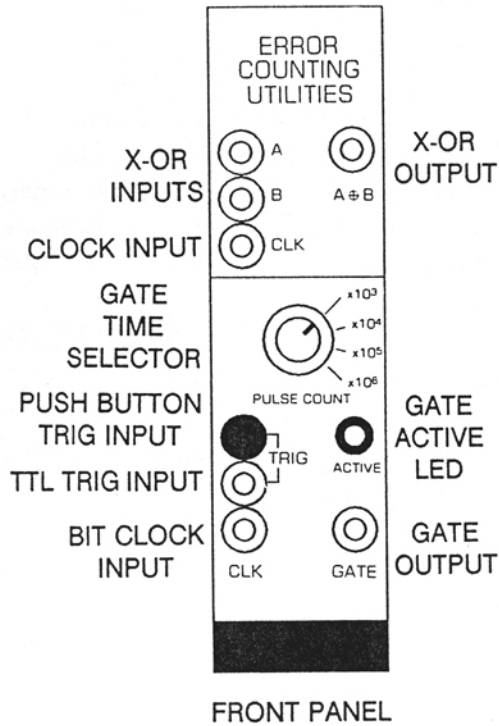
ADAPTIVE DELTA DEMODULATOR

This demodulator's implementation is almost identical to the first clocked Delta Demodulator. The only difference in patching is that a MULTIPLIER is inserted between the SAMPLER and the INTEGRATOR.

1. Patch the incoming TTL data to the SAMPLER'S input. Also patch the MASTER SIGNAL'S 100kHz TTL output to the SAMPLER'S clock input.
2. Patch the SAMPLER'S analog output to one of the MULTIPLIER'S inputs. Patch the SAMPLER'S ADAPTIVE CONTROL output to the MULTIPLIER'S other input.
3. Patch the MULTIPLIER'S output to the INTEGRATOR'S input.
4. Finally, patch the INTEGRATOR'S output to a lowpass filter, say the TMS TUNEABLE LPF. This completes the Adaptive Delta Demodulator.

ERROR COUNTING UTILITIES

Two independent functional blocks are provided, which in conjunction with other TIMS modules, can be used to carry-out Bit Error Rate measurements. The two blocks are an Exclusive-OR gate for comparing two digital data streams and a precise monostable for gating a pulse counter.



USE

EXCLUSIVE-OR LOGIC GATE

The X-OR logic gate accepts standard TTL input signals. It operates in two modes: **normal** and **pulse** output.

- (i) In **normal mode**, no clock signal should be connected to the logic gate's CLK input. The output will be an uninterrupted result of the X-OR gate.
- (ii) In **pulse mode**, a clock signal must be connected to the logic gate's CLK input. The logic gate's result will only be passed to the output during the clock's HI period. Therefore, if the logic gate's result is HI (logic 1) the output will appear as one pulse or as a sequence of pulses if the result is HI for more than one clock cycle.

Typically the clock is an in-phase and synchronised bit clock associated with the data streams being compared by the logic gate.

MONOSTABLE

Clock Input

A digital clock signal must always be connected to the CLK input. Typically this would be the bit clock associated with the digital data of the experiment being carried out.

Trigger Input

The output GATE signal is activated, or TRIGGERed, by either depressing the front panel push button switch or applying a digital level signal to the TRIG input. The output LED, labelled ACTIVE, is lit continuously while the GATE is activate and only flashes during the last 10% of the GATE period. The LED is not lit when the GATE is not active.

While the output GATE is active, the Monostable may be reTRIGGERed at any time, by depressing the TRIG push button or applying a signal to the TRIG input. When reTRIGGERing occurs, the GATE output immediately clears (becomes inactive) and is then reactivated for the new monostable period.

GATE Time

The output GATE time is determined by a preselected count of input clock pulses. The number of clock pulses counted is selected initially by the PULSE COUNT front panel rotary switch. Under normal mode four GATE times are available: 10^3 , 10^4 , 10^5 and 10^6 clock pulses. There are another twelve EXTENDED and sixteen EXPANDED counting modes. Please refer to the SETTING-UP section later in this chapter for more details.

SPECIAL NOTE

When the Monostable's GATE output is connected to the TIMS PULSE COUNTER, one count will always be registered at the instant the Monostable is TRIGGERed and becomes active. This is provided as a confirmation that the system is active. Therefore this first count must always be deducted from the final count.

BASIC SPECIFICATIONS

EXCLUSIVE-OR GATE

Inputs A & B TTL level

Output continuous X-OR result or gated with HI time of the input CLK

CLOCK input TTL level, $f_{max} > 40\text{kHz}$

MONOSTABLE

GATE active level DIP switch selectable, active HI or active LO

GATE time

normal mode 10^3 , 10^4 , 10^5 , 10^6

extended mode normal mode x2, x4 or x8

expanded mode same as normal or extended modes BUT divides the PULSE COUNT selected by twelve

GATE output LED continuously lit while GATE is active,
flashing only during last 10% of active time

CLOCK input TTL level, $f_{max} > 20\text{kHz}$

TRIG input depress push button, or input signal

TRIG signal level TTL level, DIP switch selectable active level, active HI or active LO

TRIG signal min width $> 0.2\mu\text{s}$

SETTING-UP THE MONOSTABLE

TRIGGER INPUT LEVEL

The TRIGGER input level can be selected at switch SW1. The default position is HI, when using the front panel push button switch for triggering the Monostable.

Note that the TRIG input line is actually tied by a pull down resistor to ground.

GATE INPUT LEVEL

The GATE input level can be selected at switch SW1. The default position is LO when using the TIMS PULSE COUNTER module.

GATE TIMES

The output GATE time is determined by a preselected count of input clock pulses. The number of clock pulses counted is selected initially by the PULSE COUNT front panel rotary switch. The Monostable operates under three modes, determined by DIP switch SW2 and jumper J1.

Normal Mode

Under normal mode four GATE times are available: 10^3 , 10^4 , 10^5 and 10^6 clock pulses.

To select Normal Mode both halves of SW2 must be ON and jumper J1 must be in NORM position.

Extended Mode

Under Extended Mode, the pulse count selected at the front panel PULSE COUNT rotary switch can be multiplied by 2, 4 or 8. This gives a further 12 available GATE times:

2×10^3 , 4×10^3 , 8×10^3 clock pulses;
 2×10^4 , 4×10^4 , 8×10^4 clock pulses;
 2×10^5 , 4×10^5 , 8×10^5 clock pulses;
 2×10^6 , 4×10^6 , 8×10^6 clock pulses.

See the COUNT MULT table next to switch SW2 for required switch positions. Jumper J1 must be in NORM position.

Expanded Mode

Expanded Mode is provided specifically to allow the Monostable to be used in applications with 100kHz (bit) clock frequency, using a 8.333kHz clock signal in place a 100kHz clock signal.

The 8.333kHz TTL signal available from the MASTER SIGNALS module is connected to the clock input (instead of the 100kHz TTL signal). Change jumper J1 to position /12. The monostable will now internally divide by 12 the number of counts selected at PULSE COUNT, the front panel rotary switch. In this way both the input clock and number of selected counts are effectively divided by twelve and so producing the correct GATE time.

The front panel rotary switch, PULSE COUNT, and DIP switch, SW2, are used to directly determine the GATE time as before but based on an 100kHz clock. No additional calculations or divisions are necessary.

For example, an experiment with a 100kHz bit clock and requiring a 10mS gate time. Use the 8.333kHz TTL signal as the clock input. Position jumper J1 to /12. Select 10^3 at the front panel PULSE COUNT rotary switch. Select x1 at the COUNT MUTL switch, SW2. This set-up will count the EQUIVALENT of 1,000 pulses of a 100kHz signal, giving a 10mS gate time.

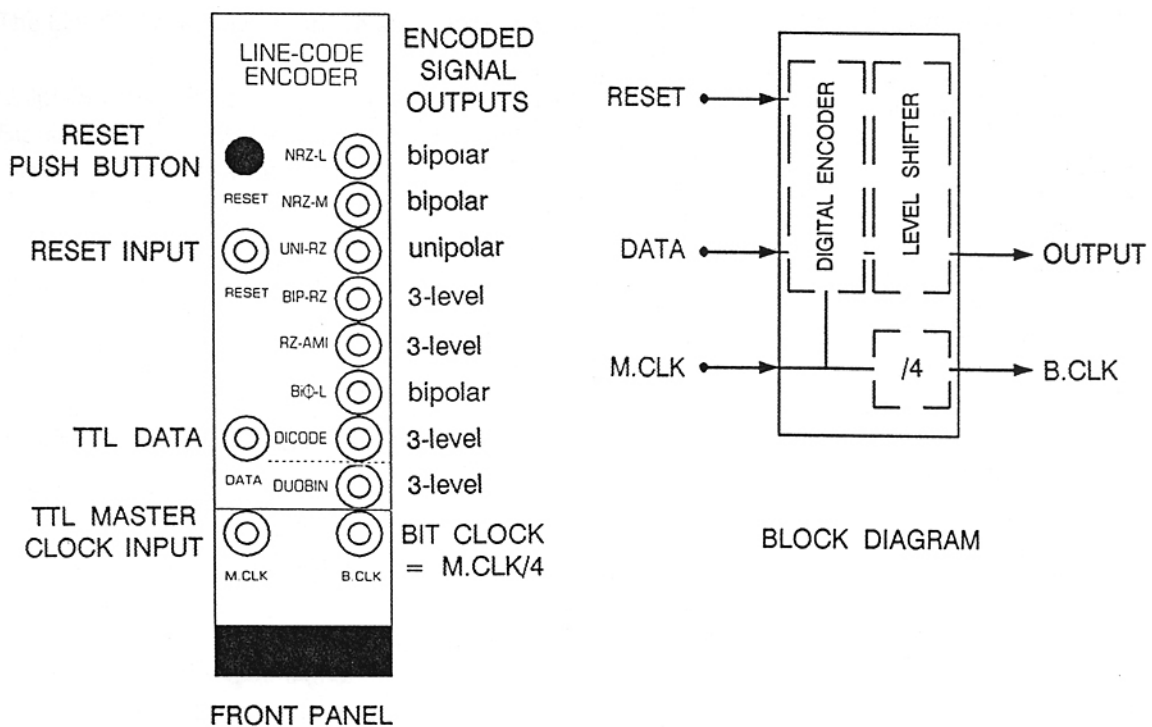
LINE-CODE & PARTIAL RESPONSE ENCODER

(PCM WAVEFORMS & DUOBINARY SIGNALING)

ENCODER SECTION GUIDE

USER INFORMATION	25
BASIC SPECIFICATIONS	26
ENCODED WAVEFORM FORMATS USED	27
* QUICK OPERATION GUIDE	29

A TTL level data stream is simultaneously encoded into eight Line-Codes (PCM Waveforms) and one Precoded Duobinary Code. The incoming data stream must be clocked by the ENCODER'S bit clock output.



USE

MASTER & BIT CLOCKS

A TTL level clock should always be connected to the M.CLK (MASTER CLOCK) input. Note that the frequency of the output B.CLK signal will be one quarter of the applied M.CLK signal. A convenient M.CLK source is the 8.3kHz TTL available from the MASTER SIGNALS module.

The input DATA stream should always be generated by or clocked with this module's B.CLK (BIT CLOCK) signal.

Alignment between the incoming data and the B.CLK must be such that each new bit

transition of the TTL data stream occurs on positive going B.CLK edges. The resulting encoded bit appears at the ENCODER'S outputs on the following negative B.CLK edge.

If the PSEUDORANDOM SEQUENCE GENERATOR module is used to provide the DATA, then clock the SEQUENCE GENERATOR using the ENCODER module's B.CLK output directly.

RESETTING

Press the RESET push button once the M.CLK has been connected. If during the course of the experiment the M.CLK is interrupted, then repeat the reset procedure, by depressing the RESET push button.

Resetting of the LINE-CODE ENCODER module is necessary as some Line-Codes must commence from a known initial state, for subsequent output signals to be correctly encoded and later decoded.

NEVER CONNECT together the SEQUENCE GENERATOR'S RESET input with the ENCODER'S RESET input. This will have no effect.

SIGNAL LEVELS

The Line-Code waveforms have standard TMS amplitude of 2Vp-p. Voltage levels used are,

Unipolar : 0V, +2V;

Bipolar : -2V, +2V;

3-level : -2V, 0V, +2V.

BASIC SPECIFICATIONS

Inputs

DATA TTL level, digital signal

M.CLK TTL level, digital signal; $f_{max} > 400kHz$

Outputs

B.CLK TTL level, digital signal

LINE-CODE outputs +/-2Vp-p, +/- 10%

DEFINITIONS OF ENCODED WAVEFORM FORMATS

The encoded waveforms are described in the following manner,

Line-Code's name, description and **<output level>**
input data state : resulting output Line-Code waveform;
input data state : resulting output Line-Code waveform.

NRZ-L Non-return to zero - level; **<bipolar>**

1 : high level;
0 : low level.

NRZ-M Nonreturn to zero - mark; **<bipolar>**

1 : transition at beginning of interval;
0 : no transition.

UNI-RZ Unipolar return to zero; **<unipolar>**

1 : pulse in the first half of the bit width;
0 : no pulse.

BIP-RZ Bipolar return to zero; **<3-level>**

1 : positive pulse in the first half of the bit width;
0 : negative pulse in the first half of the bit width.

RZ-AMI Return to zero - alternate mark invert; **<3-level>**

1 : pulse in the first half of the bit width, alternating polarity pulse to pulse;
0 : no pulse.

BiO-L Biphase - level (Manchester); **<bipolar>**

1 : transition from high to low in the middle of the bit interval;
0 : transition from low to high in the middle of the bit interval.

DICODE-NRZ Dicode - nonreturn to zero; **<3-level>**

1 to 0, or 0 to 1 transition : change in pulse polarity;
1 to 1, or 0 to 0 transition : no pulse.

PRECODED DUOBINARY (PARTIAL RESPONSE SIGNALING); **<3-level>**

Unlike Line-Code encoding, Duobinary encoding is a non-linear process and so cannot be described by the above coding rules. The following model represents the process of Precoded Duobinary encoding,

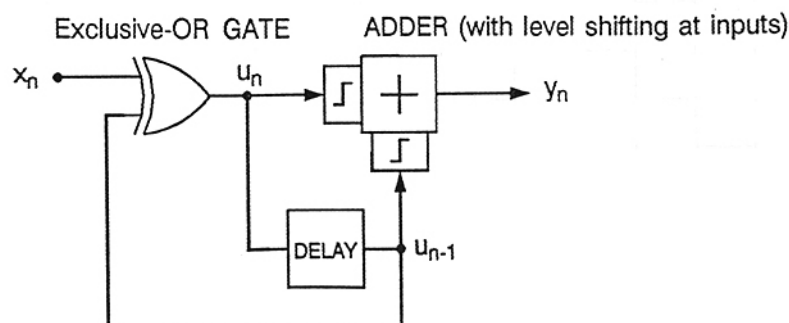


Figure LCE-1 Precoded Duobinary Model

Illustrating the operation of the Precoded Duobinary model,

INPUT DATA SEQUENCE : x_n :
PRECODING : $u_n = x_n + u_{n-1}$:
LEVEL SHIFTING : bipolar $u_n = U_n$:
DUOBINARY CODING RULE : $Y_n = U_n + U_{n-1}$:
 (Note the INITIAL condition $u_0 = 1_R$)

Figure LCE-2 illustrates the above Line-Code and Partial Response waveform definitions graphically:

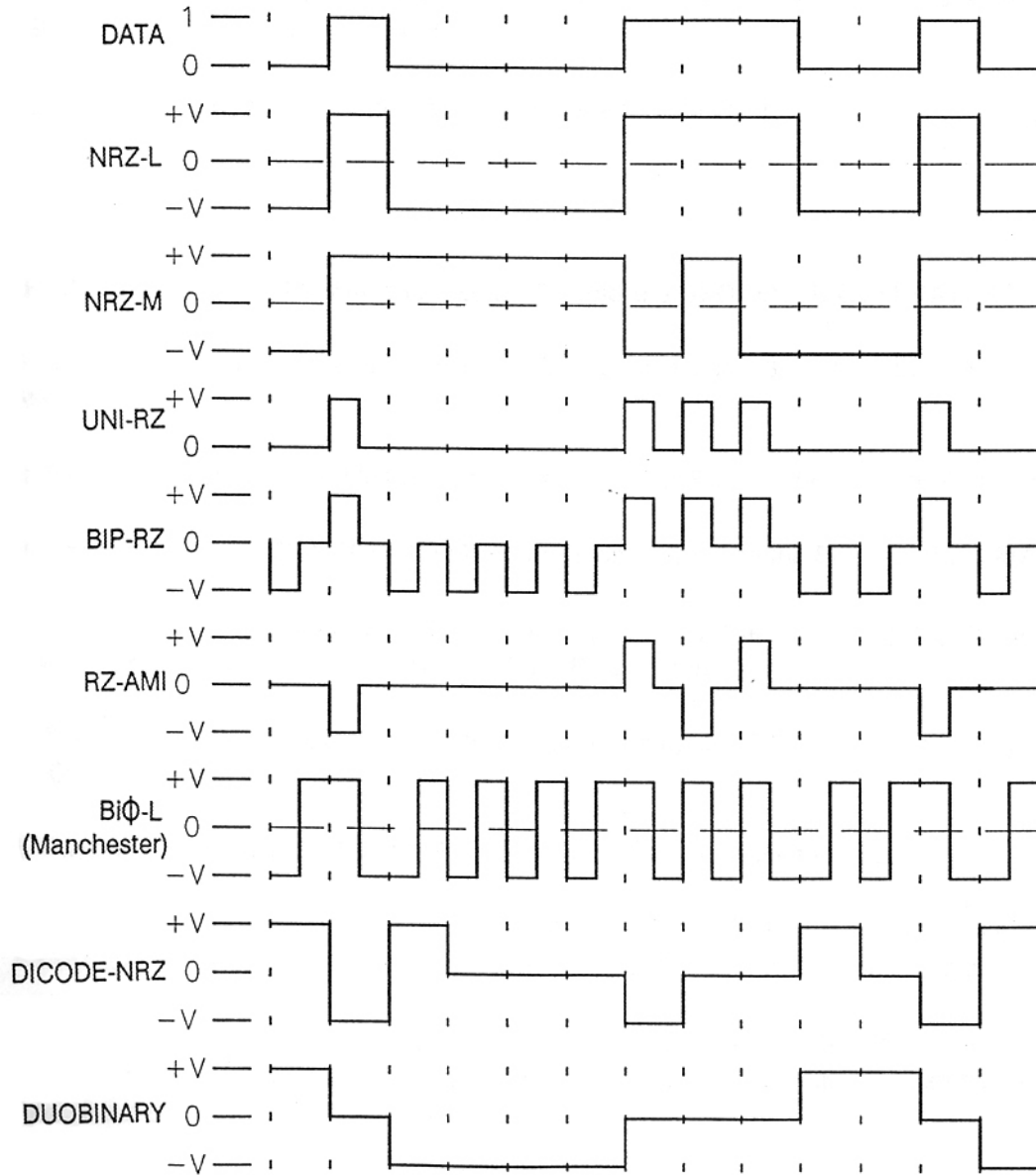


Figure LCE-2 Encoded Waveforms

QUICK OPERATION GUIDE

A - Using the ENCODER with the PSEUDORANDOM SEQUENCE GENERATOR

1. Connect a TTL clock to the M.CLK input. For example, use 8.3kHz from the MASTER SIGNALS module.
2. Patch B.CLK output to the SEQUENCE GENERATOR module's CLK input.
3. Patch the SEQUENCE GENERATOR module's data output (either X or Y) to the ENCODER'S DATA input.
4. Press the ENCODER module's RESET push button. (Repeat this step whenever the M.CLK signal is disconnected or interrupted.)
5. All the Line-Codes are now generated and available simultaneously.

B - Using the ENCODER with the DECODER and the SEQUENCE GENERATOR

1. Connect a TTL clock to the M.CLK input. For example, use 8.3kHz from the MASTER SIGNALS module.
2. Patch the ENCODER'S B.CLK output to the SEQUENCE GENERATOR module's CLK input.
3. Patch the SEQUENCE GENERATOR module's data output to the ENCODER'S DATA input.
4. Connect a bit clock to the DECODER'S input. (In a simple test system, just patch the ENCODER'S B.CLK output to the DECODER'S B.CLK input.)
5. Select one of the ENCODER's waveform outputs and patch it to the corresponding DECODER input.
6. Resetting the ENCODER/DECODER module pair. Two equivalent methods:
 - (i) For AUTOMATIC RESETTING - patch the ENCODER'S RESET input to the DECODER'S RESET output. Depress either the ENCODER'S or DECODER'S RESET push button once.
 - (ii) For MANUAL RESETTING - depress the ENCODER'S RESET push button, keeping it depressed; now depress and immediately release the DECODER'S RESET push button. Then release the ENCODER'S RESET push button.

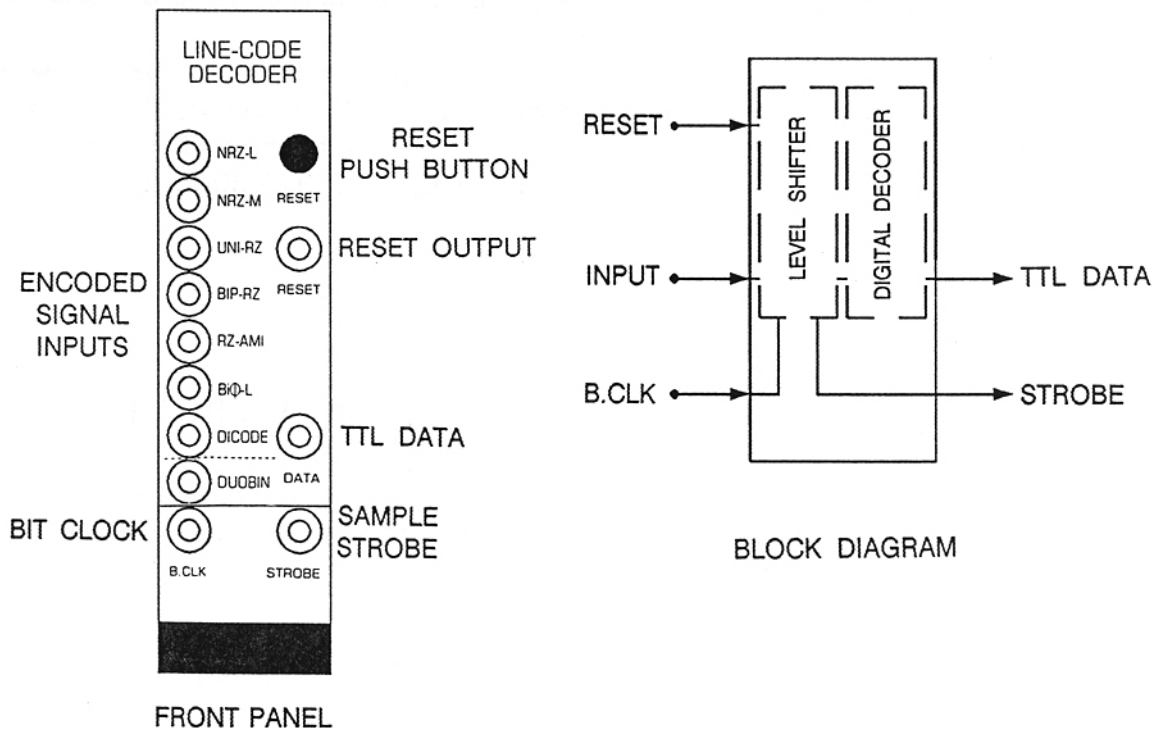
Repeat the RESET procedure whenever the ENCODER'S M.CLK signal, the DECODER'S B.CLK signal or the input waveform to the DECODER, is disconnected or interrupted.

7. All the Line-Codes are now generated and available simultaneously at the ENCODER'S outputs. Patch any one of the ENCODER'S outputs to the corresponding DECODER input. Note that some Line-Codes require RESETTING prior to correct operation.

LINE-CODE & PARTIAL RESPONSE DECODER

(PCM WAVEFORMS & DUOBINARY SIGNALING)

Each of the encoded signals generated by the LINE-CODE ENCODER module can be decoded, producing a TTL level data stream. A synchronised bit clock with correct alignment must be provided to the DECODER.



USE

The incoming encoded signal must be clean and distortion free. The task of cleaning and squaring a recovered signal must be carried-out beforehand, by other modules, such as the TIMS DECISION MAKER.

Only one encoded signal may be applied to any DECODER input at any one time.

BIT CLOCK

A TTL level clock must always be connected to the B.CLK, (BIT CLOCK) input.

The B.CLK signal must be synchronised and aligned to the incoming encoded bit stream in the following manner: each new bit transition of the incoming encoded data stream occurs on negative (falling) B.CLK edges.

The STROBE output is derived from the incoming B.CLK. The positive going edge of the STROBE output is the exact moment the DECODER "samples" the incoming signal for the decoding process: the decoded TTL output data is then immediately available at the DATA output.

RESETTING

The DECODER module requires resetting after the B.CLK or input waveform has been applied or interrupted. Resetting of the LINE-CODE ENCODER module is necessary as some Line-Codes must be decoded from a known initial state, for subsequent output data to be "correct."

Two equivalent methods of resetting the ENCODER/DECODER pair are available. **OPTION (i)** requires a patching lead between the ENCODER/DECODER pair; while **OPTION (ii)** requires each module to be reset independently, with no interconnecting patching lead.

(i) Automatic resetting of **both** modules

- Patch the DECODER'S RESET output to the ENCODER'S RESET input.
- Momentarily depress either the ENCODER'S or DECODER'S RESET push button.

(ii) Manual resetting of **each** module

- Hold down the ENCODER'S RESET push button, while momentarily depressing the DECODER'S RESET push button.
- Release the ENCODER'S RESET push button.

BASIC SPECIFICATIONS

Inputs

B.CLK TTL level bit clock, synchronised to the input data; $f_{max} > 100\text{kHz}$

Encoded signal inputs see ENCODER module section of this manual for definitions

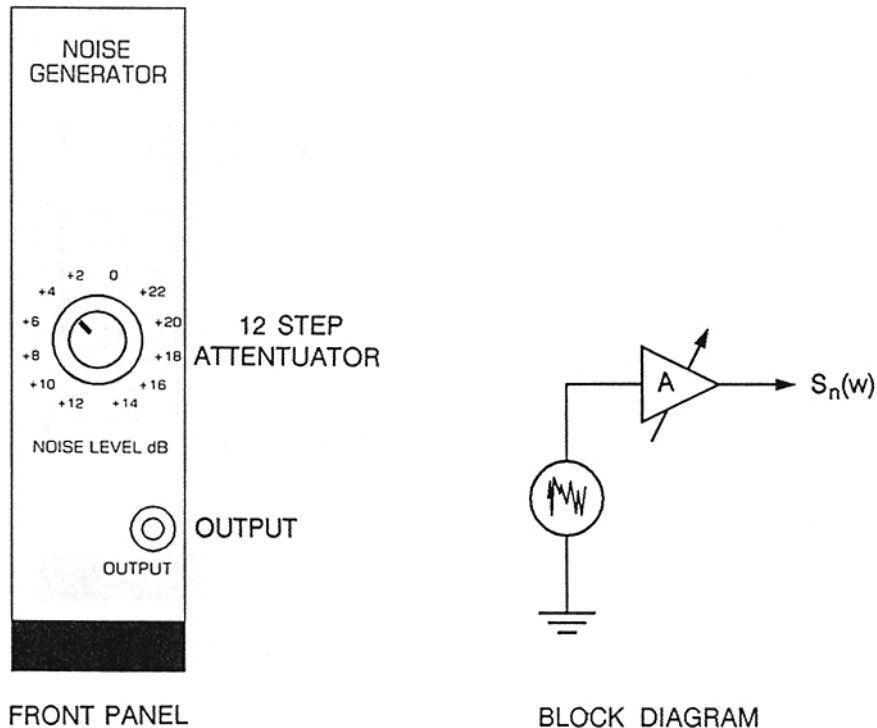
Outputs

DATA decoded TTL level data

STROBE TTL level signal

NOISE GENERATOR

A broadband noise source, with a 12 step output amplitude attenuator.



USE

The module requires no input or control signals.

The output noise level can be varied in discrete steps of 2dB.

Minimum noise level is at "**0dB**" and **maximum** noise level is at "**+22dB**".

If required, the characteristics of the output noise signal can be altered by: filtering, using any of the TIMS filter modules; or attenuated or amplified, using the TIMS BUFFER AMPLIFIER or ADDER modules.

BASIC SPECIFICATIONS

Bandwidth 1Hz to < 500kHz

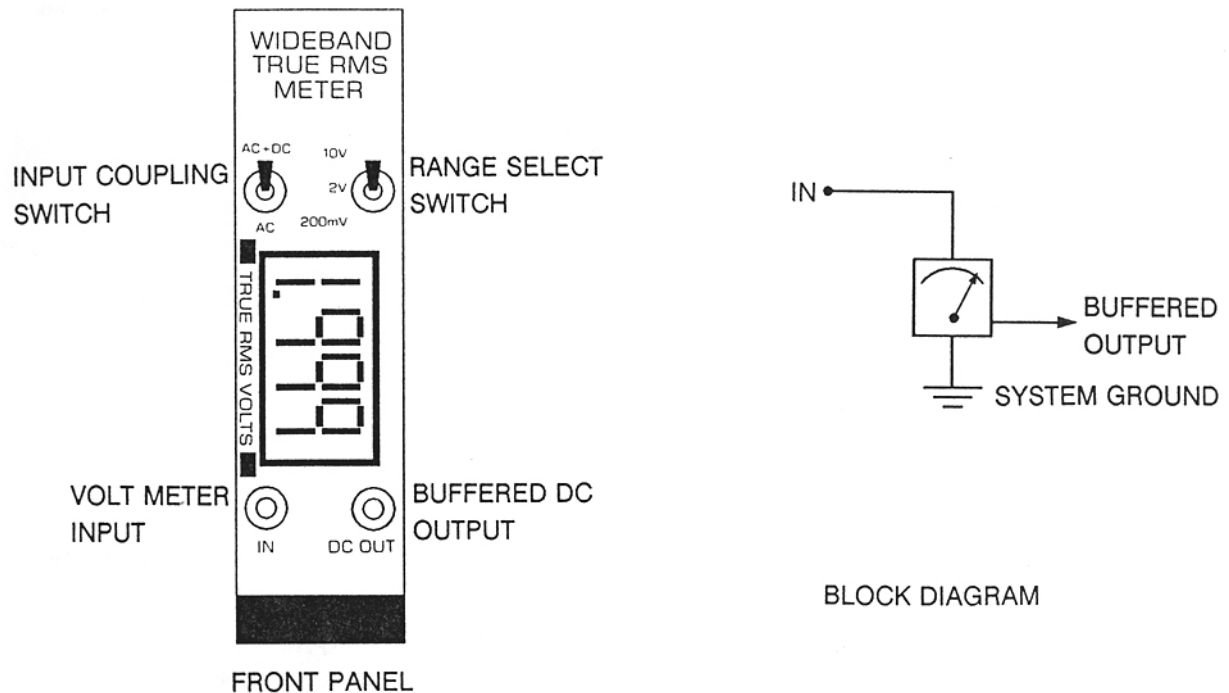
Maximum level approx 1Vrms at "+22dB" position

Attenuator steps 12 steps, 0dB to +22dB (2dB per step)

Attenuator accuracy < +/- 0.25dB to any two adjacent steps (+/- 0.1dB typically)
< +/- 0.35dB between any two steps

WIDEBAND TRUE RMS VOLT METER

A wideband, true RMS volt meter with large, LED digital display and a buffered DC output.



USE

The input signal may include AC and DC components. If only the AC components of the signal are to be measured, then select the **AC** coupling. Otherwise select **AC+DC** coupling.

Before connecting any input signals, always select the 10V range first. If greater resolution is required, then select the lower ranges, 2V or 200mV.

The **DC OUTPUT** provides a standard TMS level, buffered DC voltage, which is directly proportional to the digital display's reading.

BASIC SPECIFICATIONS

Input Ranges

NOTE: ACCURACY specified above applies to sinusoidal waveforms, from 10% to 100% of full scale reading for the 200mV and 2V ranges, and from 20% to 100% of full scale for the 10V range.

RANGE AC, AC+DC	RESOLUTION	MAX. INPUT	ACCURACY +/- (% of reading + % of full scale)			
			DC	100Hz-10kHz	<100kHz	<500kHz
10V	10mV	10V	0.7% + 0.4%	0.5% + 0.4%	0.7% + 0.4%	7% + 2%
2V	1mV	10V	0.7% + 0.3%	0.5% + 0.3%	0.7% + 0.3%	7% + 1%
200mV	100uV	2V	0.7% + 0.3%	0.5% + 0.3%	0.7% + 0.3%	7% + 1%

Crest factor 8 : 1 (peak voltage to RMS voltage).

NOTE: The peak value must not exceed the MAX INPUT value specified above.

Maximum allowable input 15V peak, all ranges

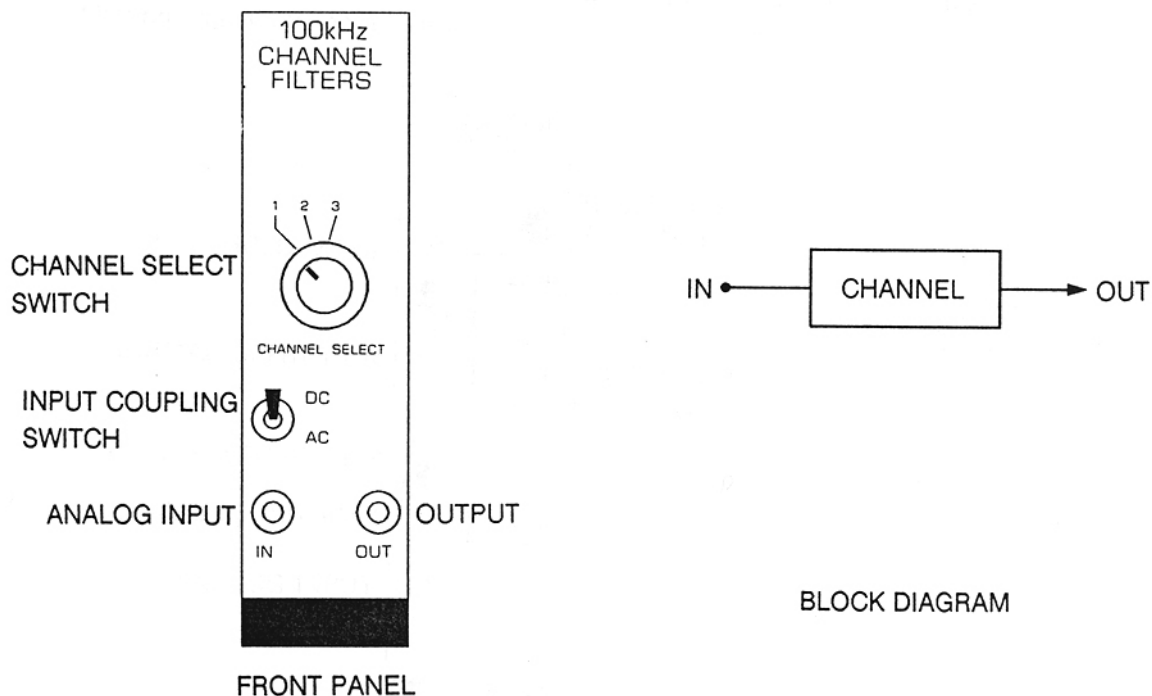
Input impedance 100k ohm in parallel with less than 100pF

Bandwidth DC, 100Hz to 1.2MHz

DC output approximately 1mV DC per digit, giving 2V full scale

100kHz CHANNEL FILTERS

Three switch selectable, 100kHz channels are provided, comprising two different filters and one straight-through connection.



USE

Only one channel may be selected and used at a time.

Note that each of the three channels may be AC or DC coupled by front panel toggle switch.

CHANNEL CHARACTERISTICS

Before using any of these three channels in experiments, each channel should be characterised by actual measurement of amplitude and phase responses. As a minimum, the **cut-off** and **stop-band** frequencies should be measured, using the VCO and TRUE RMS METER modules or an oscilloscope.

BASIC SPECIFICATIONS

Input coupling AC or DC, channels 1 to 3

Channel responses

Channel 1 straight-through

Channel 2 bandpass filter

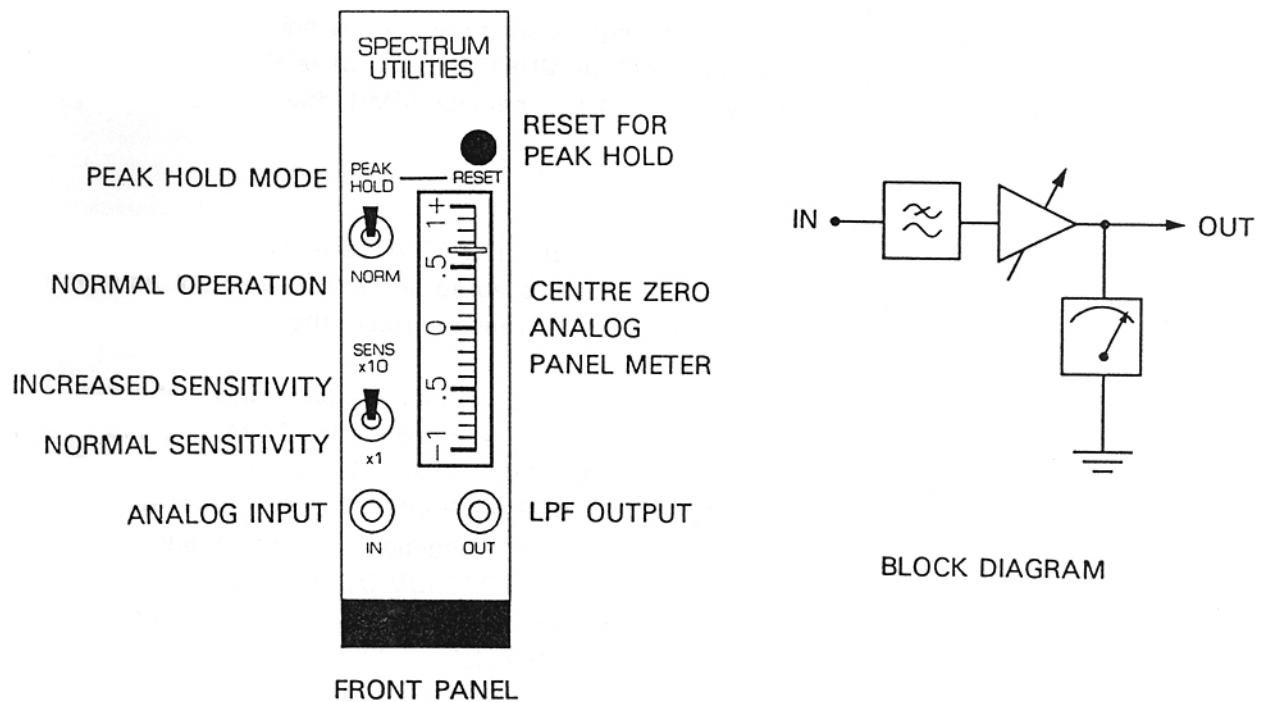
Channel 3 lowpass filter

Stop-band attenuation approx 40dB

SPECTRUM ANALYSER UTILITIES

A general purpose analog display module, which will indicate positive and negative voltages, in the frequency range DC to about 10Hz.

These characteristics make the module an ideal display device when learning about signal filtering, signal mixing and traditional spectrum analyser concepts.



USE

The analog, center-zero panel meter indicates the magnitude and polarity of the voltage applied at the **IN** socket. The voltage at the **IN** socket is first filtered by a 30Hz lowpass filter, before being scaled and applied to the panel meter.

A scaling facility allows the user to adjust the meter's full scale deflection, over a wide input voltage range. A PCB mounted trimmer, RV1, is used for this scaling purpose.

When the PCB mounted trimmer, RV1, is set FULLY CLOCK WISE, then the panel meter will indicate FULL SCALE DEFLECTION with $\pm 2V$ DC input. Turning RV1 ANTI-CLOCK WISE will increase the meter's sensitivity: that is, FULL SCALE DEFLECTION will become less than $\pm 2V$.

The front panel x1/x10 sensitivity switch provides a simple method of quickly increasing the full scale sensitivity of the meter by a factor of 10 times, or 20dB.

A **PEAK HOLD** with push button **RESET** facility is available to assist in determining the peak value of a fluctuating reading. The **PEAK HOLD** function reads only negative polarity peak voltages.

The signal at the **OUT** socket is equal in magnitude and opposite in polarity to the signal that is presented to the panel meter.

BACKGROUND

The panel meter is a simple bipolar DC voltage meter.

If an AC voltage is applied to the meter, as in SPECTRUM ANALYSER APPLICATIONS, then the meter pointer will attempt to faithfully track the varying voltage swings. The meter's pointer will only respond to DC and very low frequency signals. It is the inertia of the mechanical movement that provides this very low frequency lowpass filter action.

When using the module in SPECTRUM ANALYSER APPLICATIONS, it is important to calculate the *conversion sensitivity* of the system before attempting to determine absolute voltage readings. Refer to the SPECTRUM ANALYSER experiment in the "Communication Systems Modelling with TIMS" student text for a detailed discussion on *conversion sensitivity*.

SETTING-UP THE SPECTRUM UTILITIES MODULE

The analog panel meter can be used to make both absolute voltage and relative amplitude measurements. Both measurement methods have a similar setting-up procedure.

Absolute Voltage Measurements:

(i) SPECTRUM UTILITIES settings.

Turn the PCB mounted trimmer, RV1, fully clockwise, and set the front panel sensitivity selector switch to "x1". The FULL SCALE DEFLECTION is now $\pm 2V$.

(ii) Setting another DC Voltage Reference.

Using the VARIABLE DC VOLTAGE module, set and measure the maximum voltage required on your oscilloscope. For example, 0.25V DC. Next apply this reference voltage to the SPECTRUM UTILITIES module's **IN** socket. Adjust trimmer RV1 for the panel meter to indicate FULL SCALE DEFLECTION.

Relative Amplitude Measurements:

(i) SPECTRUM UTILITIES settings.

Turn the PCB mounted trimmer, RV1, fully clockwise and set the front panel sensitivity selector switch to "x1".

(ii) Use.

Apply a reference signal and adjust RV1 for appropriate indication, say half or full scale indication. Other signals can now be measured as a ratio of the reference signal.

SPECTRUM ANALYSER QUICK OPERATION GUIDE

The following is intended only as a quick reference for making use of this module in SPECTRUM ANALYSER APPLICATIONS. For detailed theoretical and user information, please refer to the SPECTRUM ANALYSER experiment in the "Communication Systems Modelling with TIMS" student text.

SETTING-UP THE SPECTRUM ANALYSER

(i) Turn the PCB mounted trimmer, RV1, fully clockwise and set the front panel sensitivity selector switch to "x1". Follow the above procedures for setting-up for Relative Voltage Measurements. If Absolute Voltage Measurements are required, then the *conversion sensitivity* must be calculated after the spectrum analyser has been patched together.

(ii) Four other BASIC modules are required to create a spectrum analyser: the MULTIPLIER, VCO, VARIABLE DC VOLTAGE and FREQUENCY COUNTER. Before proceeding, please refer to the TIMS-301 Users Manual's "VCO" chapter, for information on "FINE FREQUENCY CONTROL" of the VCO using the VARIABLE DC VOLTAGE module.

(iii) After the VCO has been set-up for "FINE FREQUENCY CONTROL" operation, patch the VCO's analog output to both the FREQUENCY COUNTER and one of the MULTIPLIER's input sockets.

(iv) Patch the MULTIPLIER's output to the SPECTRUM UTILITIES module's input.

The spectrum analyser is now complete: apply the signal to be investigated to the MULTIPLIER's other input.

SPECTRUM ANALYSER OPERATION

(v) Adjust the VCO module's frequency control, f_o , to the expected vicinity of the frequency of interest. Slowly vary f_o until you notice the analog panel meter's pointer starting to oscillate.

(vi) Now slowly adjust the VCO's output frequency, by varying the VARIABLE DC VOLTAGE, until the analog panel meter pointer oscillates very slowly. Record the peak reading of the panel meter and the FREQUENCY COUNTER's display.

(vii) Repeat the above two steps (v) and (vi) if varying the VARIABLE DC VOLTAGE does not adjust the VCO to the frequency of interest or if other spectral components need to be determined.

When searching for low level spectral components, the precise x1/x10 sensitivity switch will assist in increasing meter sensitivity without disturbing the calibration setting.

BASIC SPECIFICATIONS

Input Voltage Range $\pm 10\text{mV}$ to $\pm 2\text{V}$, continuously variable

Sensitivity Switch x1, x10

Input Frequency Range DC to $<30\text{Hz}$

Indicator centre zero analog panel meter, with linear scale

Output filtered, scaled and buffered meter movement signal

Operating Modes NORMAL

PEAK HOLD with push button RESET

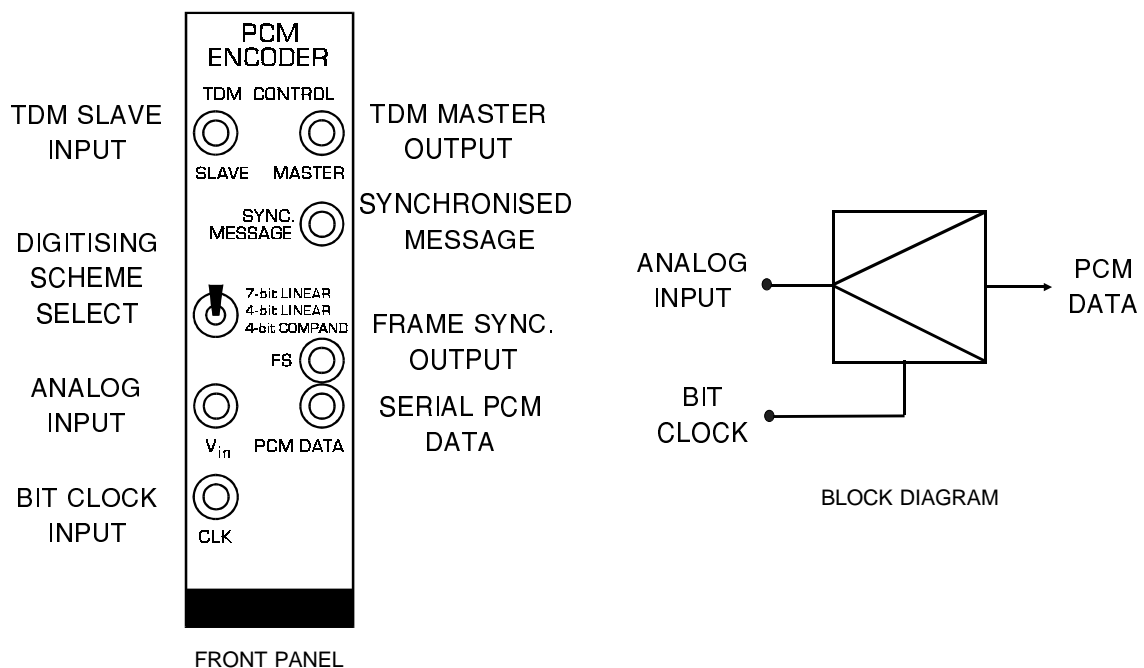
PCM ENCODER

An audio frequency analog-to-digital converter which outputs the digitised data in serial TTL-level PCM format. Both linear and non-linear (logarithmic) digitising schemes are provided.

Frame synchronisation is implemented by both separate output synchronisation signal and also an embedded code within the serial data stream.

A variable frequency sinuous-type message is provided, which is always synchronised to the input bit clock.

Two PCM ENCODER modules may be connected in parallel, with the appropriate control signal, to establish a two input channel, single data line, Time Division Multiplex system.



USE

INPUT SIGNALS

Two input signals are required for correct operation: the analog signal to be digitised, V_{in} , and the sampling "bit" clock, **CLK**.

V_{in} will accept TMS-level, bipolar signals ranging from DC up to several kilohertz. Note that the V_{in} input is not band limited, so that aliasing may be observed if desired.

The bit clock, **CLK**, must be a TTL-level signal, such as the TMS MASTER SIGNALS **8.33kHz SAMPLING CLOCK** output.

Note that careful consideration must be given regarding the sampling theorem, when selecting the relative frequencies of both V_{in} and **CLK**.

PCM DATA

The TTL-level digitised data is output serially. TMS PCM code words are in standard offset binary format, with the first 7 bits allocated for data/coding and the least significant bit allocated for the frame synchronisation code.

Three digitising schemes are provided for comparison purposes. Selection is made via front panel switch:

- (a) 7-bit linear,
- (b) 4-bit linear, and
- (c) 4-bit companded, either TIMS **A**₄-Law or TIMS μ ₄-Law

Note that selection between TIMS **A**₄-Law or TIMS μ ₄-Law is made via jumper selector on the PCM ENCODER module's PCB.

FRAME SYNCHRONISATION

Two methods are used to indicate frame synchronisation: a separate TTL-level output signal, **FS**, and an embedded code within the digitised serial data.

The frame synchronisation signal, **FS**, is normally low and only goes high for one bit period, at the time of the least significant bit of the PCM code word, bit 0.

The frame synchronisation signal is also embedded within the digitised code word, as the least significant bit, bit 0. The code selected is a repeating "0 - 1 - 0 - 1" sequence. This is a unique sequence which corresponds to the Nyquist frequency of the sampled signal and so is otherwise considered a "disallowed" state.

SYNCHRONISED SINUOUS-TYPE MESSAGE

A variable frequency output signal, **MESSAGE**, synchronized to the input bit clock, **CLK**, is also provided to allow detailed observation of the input signal and resulting digital code words.

The frequency of this MESSAGE signal may be varied by setting the PCB mounted switch, SW2, as follows,

SYNCHRONISED MESSAGE FREQUENCY SETTINGS		
SW2a	SW2b	Ratio of MESSAGE frequency to bit clock, CLK
OFF	OFF	1 : 32
OFF	ON	1 : 64
ON	OFF	1 : 128
ON	ON	1 : 256

Available MESSAGE frequency options

TDM MODE

Two PCM ENCODER modules may be connected in parallel, with the appropriate control signal, to establish a two channel Time Division Multiplexing system. Thus two analog signals are each digitised and then transmitted along a single digital data line.

(i) TDM Control

Under TDM mode, one PCM ENCODER module becomes the main control module, referred to as the "MASTER" and the other operates as the "SLAVE". This is achieved by patching a lead from the TDM CONTROL **MASTER** output of one module to the TDM CONTROL **SLAVE** input of the other module.

Any module may become the MASTER or the SLAVE. Note that one MASTER can only control one SLAVE module: never connect more than one SLAVE to a MASTER module.

(ii) PCM Data

The **PCM DATA** output of each of the two modules must be patched together. This becomes the combined output for the module pair. Note that *only* the **PCM DATA** outputs are designed to be patched together as they are "open collector" outputs.

Note also that each module must be supplied with the same bit clock, **CLK**.

(iii) Frame Synchronisation

Two methods are available to indicate frame synchronisation of the TDM PCM data stream: the MASTER module's frame synchronisation output, **FS**, and an embedded code within the TDM serial data.

The operation of the MASTER module's frame synchronisation output **FS** under TDM Mode is exactly the same as described previously under single channel PCM operation.

As well, the frame synchronisation code is embedded within the TDM PCM data, exactly as described under individual PCM ENCODER module operation. Note that the MASTER will always have a "1" as its LSB frame synchronisation bit and the SLAVE will always have "0" as its LSB frame synchronisation bit, in order to facilitate correct de-multiplexing by the PCM DECODER modules.

(iv) TDM Operation

As all three of the PCM ENCODER module's digitising schemes have the same frame length, that is 8 bits, the two modules operating in TDM mode may have the same or different digitising schemes selected simultaneously. For example the MASTER may be sending 7-bit linear digitised data while the SLAVE may be sending 4-bit companded data.

BASIC SPECIFICATIONS

Input V_{in} +/-2Vpk, DC coupled

Bit Clock Input <10kHz, TTL-level

Output Signal serial, TTL-level data stream in offset binary format

Output Format 8 bits data, including frame synchronisation bit as LSB

Digitising Formats 7-bits linear; 4-bits linear, and 4-bits companded

Companding Formats TMS 4-bit A₄-Law, & TMS 4-bit μ ₄-Law (PCB selectable)

Frame Synchronisation **FS** synchronisation signal coincident with frame's LSB;
and also as embedded "0 - 1 - 0 - 1" code in the LSB of each frame

Sinusoidal Message Output bipolar, standard TMS-level and always synchronised to bit clock

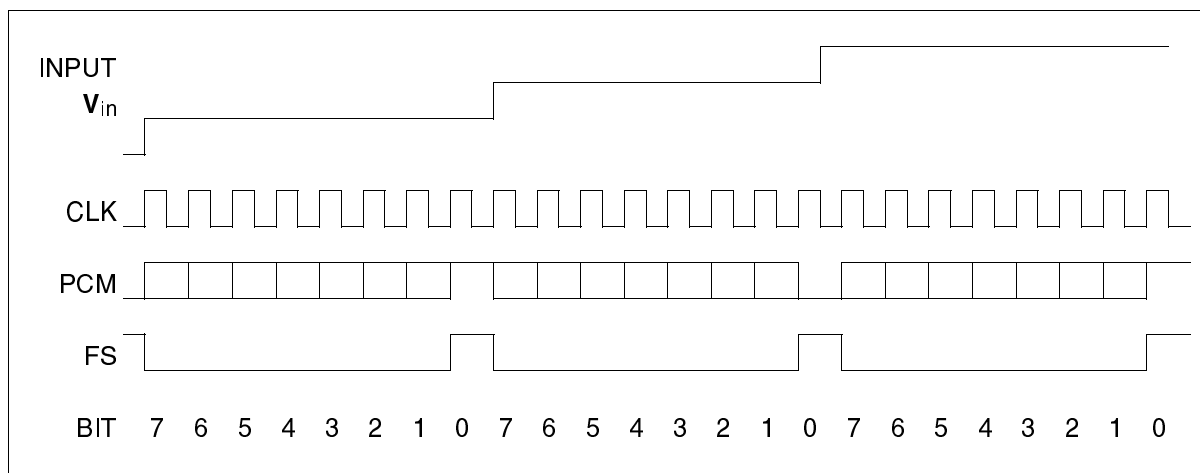
Message Frequency PCB switch selectable as ratio of bit clock, 1:32, 1:64, 1:128, 1:256

TDM Mode two channel TDM system, with MASTER/SLAVE control of two
PCM ENCODER modules

TECHNICAL DETAILS

1. TIMING DIAGRAMS

The following timing diagram describes PCM ENCODER operation.



PCM ENCODER timing diagram

TIMING DIAGRAM DESCRIPTIONS:

INPUT V_{in} is the input voltage applied at input V_{in} . The waveform is shown as presented to the analog-to-digital converter by the PCM ENCODER module's internal sample-and-hold circuit.

CLK is the applied bit clock at input **CLK**.

PCM is the serial data signal at the **PCM DATA** output. Note that each frame's LSB, bit 0, is shown as carrying the embedded "0 - 1 - 0 - 1" frame synchronisation sequence.

FS is the frame synchronisation signal as provided at the **FS** output.

2. TIMS PCM CODE WORD RANGES

7-bit LINEAR Frame 0000000X = -2.5V to 1111111X = +2.5V

4-bit LINEAR Frame 0000000X = -2.5V to 0001111X = +2.5V

4-bit COMPANDED Frame 0000000X = -2.5V to 0001111X = +2.5V

Notes:

- (i) The Least Significant Bit, "X", is the frame synchronisation bit.
- (ii) In 4-bit schemes, "bit 5" becomes the data's Most Significant Bit.

3. TIMS 4-bit A₄-Law, & TIMS 4-bit μ ₄-Law

TIMS 4-bit A₄-Law, & TIMS 4-bit μ ₄-Law are included to demonstrate the increase in dynamic range obtained when using companding techniques. Both TIMS companding laws are implemented with 4 bits rather than 8 bits, and are intended to approximate the characteristics of the industry standard A-87.6 Law and μ -255 Law respectively.

QUICK OPERATION GUIDE

A - Basic PCM ENCODER module operation using the synchronised sinuous MESSAGE

1. Select the PCB mount switch SW2 to read "off" - "off". Also select the front panel DIGITISING SCHEME switch to **4-bit LINEAR**.
2. Plug the PCM ENCODER into the TIMS rack.
3. Patch the TIMS MASTER SIGNALS module's 8.33kHz SAMPLE CLOCK to the PCM ENCODER module's bit clock input, **CLK**.
4. Patch the PCM ENCODER module's **MESSAGE** output to the **V_{in}** input.
5. Connect the oscilloscope's EXTERNAL trigger input to the **MESSAGE** output.
6. Connect the 'scope's CH1 to the **FS** frame synchronisation output and CH2 to the **PCM DATA** output, to view a most of or a full cycle of the MESSAGE signal.
7. Next, connect the oscilloscope's EXTERNAL trigger input to the **FS** frame synchronisation signal. Adjust the 'scope's timebase so that two or three frames of PCM data are visible. For a more stable display of the individual PCM code words, connect **V_{in}** to the TIMS VARIABLE DC module.

B - TDM operation

1. Plug two PCM ENCODER modules into adjacent slots of the TIMS rack. Select the front panel DIGITISING SCHEME switch to **4-bit LINEAR**.
2. Patch the TIMS MASTER SIGNALS module's 8.33kHz SAMPLE CLOCK to *both* of the PCM ENCODER modules' bit clock inputs, **CLK**.
3. Patch a lead from the TDM CONTROL **MASTER** output of one PCM ENCODER module to the TDM CONTROL **SLAVE** input of the other PCM ENCODER module. The two modules now become MASTER and SLAVE respectively.
4. Patch the MASTER PCM ENCODER module's **MESSAGE** output only to its **V_{in}** input. Connect the SLAVE module's **V_{in}** input to the TIMS VARIABLE DC module's output.
5. Observe each module's **PCM DATA** output signal separately and confirm the signals are as expected.
6. Patch together the **PCM DATA** outputs of each PCM ENCODER module.
7. Connect the oscilloscope's EXTERNAL trigger input to the **FS** frame synchronisation output of the MASTER PCM ENCODER module.
8. Connect the oscilloscope's CH1 to the MASTER module's **FS** frame synchronisation output and CH2 to the common **PCM DATA** output.
9. Adjust the oscilloscope's timebase so that two or three frames of PCM data are visible. Visually determine which frame is "MASTER" and which frame is "SLAVE".

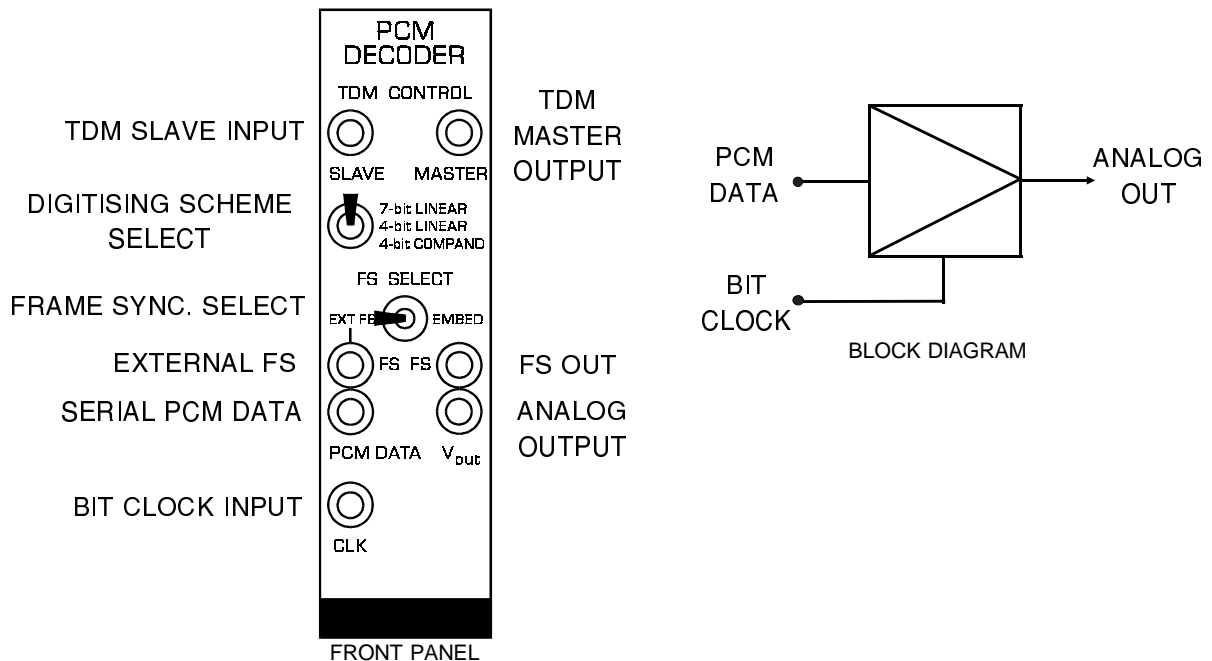
PCM DECODER

An audio frequency digital-to-analog converter which accepts digital data in serial format, as generated by the PCM ENCODER module.

Frame synchronisation may be achieved either from an external synchronisation signal or may be extracted from the embedded frame synchronisation code generated by the PCM ENCODER module.

The bit clock provided must be synchronised and in-phase with the incoming digital data.

Two PCM DECODER modules may be connected in parallel, with the appropriate control signal, to decode the data generated by two PCM ENCODER modules operating in Time Division Multiplex mode.



USE

INPUT SIGNALS

Two TTL-level digital signals are required for correct operation: **PCM DATA**, the serial digital data to be converted to an analog signal and, **CLK**, a synchronised and in-phase bit clock.

Both these signals must be "clean", squared digital signals. Note that the TMS DECISION MAKER module may be required to "clean-up" digital signals that have undergone any kind of distortion.

PCM DATA

The format of the serial data expected at the **PCM DATA** input is exactly as generated by the TMS PCM ENCODER module: TMS PCM code words in standard offset binary, with the first 7 bits allocated for data/coding and the least significant bit allocated for the frame synchronisation code.

The three digitising schemes provided by the TIMS PCM ENCODER module can be decoded. Selection is made via front panel switch:

- (a) 7-bit linear,
- (b) 4-bit linear, and
- (c) 4-bit companded, either TIMS **A**₄-Law or TIMS μ ₄-Law

Note that selection between TIMS **A**₄-Law or TIMS μ ₄-Law is made via jumper selector on the PCM DECODER module's PCB.

ANALOG OUTPUT

V_{out} provides a bipolar, standard TIMS-level analog signal, derived from the input digital data at **PCM DATA**. Note that **V**_{out} is taken directly from the converter without reconstruction filtering so that individual steps in the conversion process may be observed if desired.

FRAME SYNCHRONISATION

Two methods are used to recover frame synchronisation: "EXTERNAL" makes use of a separate TTL level input signal connected to **EXTERNAL FS**, and "EMBEDDED" extracts the embedded code within the digitised serial data. The method required is selected by front panel switch, **EXTERNAL** or **EMBEDDED**.

(i) EXTERNAL Mode

In **EXTERNAL** mode, the separate frame synchronisation input signal, **EXTERNAL FS**, must normally be low and should only go high for one bit period, at the time of the least significant bit of the PCM code word, bit 0. Note that **FS OUT** is not active in this mode.

(ii) EMBEDDED Mode

In **EMBEDDED** mode, the TIMS PCM DECODER module will "search" and "extract" the embedded code from the incoming serial data. In this mode, the PCM DECODER module will also output the resulting extracted frame synchronisation signal at **FS OUT**. Note that the TIMS PCM ENCODER module embeds a uniquely defined "0 - 1 - 0 - 1" repeating sequence within the digitised code words.

Four "search" length options are provided. In each case the PCM DECODER searches for the selected number of consecutive frame synchronisation bits, that is, consecutive "0 - 1 - 0 - 1 ..." transitions.

The number of consecutive search bits is selected by PCB mounted switch, SW3, as follows,

SW3a	SW3b	CONSECUTIVE SEARCH BITS
OFF	OFF	32 bits
OFF	ON	64 bits
ON	OFF	128 bits
ON	ON	256 bits

PCM DECODER synchronisation search length options

Once the preselected number of consecutive frame synchronisation bits has been found, the PCM DECODER locks onto and monitors the synchronisation sequence. If the sequence is lost, the PCM DECODER maintains the previous lock position until a new, valid lock position is found.

TDM MODE

Two PCM DECODER modules may be connected in parallel, with the appropriate control signal, to decode the data generated by two PCM ENCODER modules operating in the Time Division Multiplex mode. Thus two analog signals are recovered.

(i) TDM Control

Under TDM mode, one PCM DECODER module becomes the the main control module, referred to as the "MASTER" and the other operates as the "SLAVE". This is achieved by patching a lead from the TDM CONTROL **MASTER** output of one module to the TDM CONTROL **SLAVE** input of the other module.

Any module may become the MASTER or the SLAVE. Note that the MASTER can only control one SLAVE module: never connect more than one SLAVE to a MASTER module.

(ii) PCM Data

The **PCM DATA** input of each of the two modules must be patched together. This becomes the combined input for the module pair.

Note also that each module must be supplied with the same bit clock, **CLK**.

(iii) Frame Synchronisation

Always ensure that both modules have the same frame synchronisation mode selected: either EXTERNAL or EMBEDDED. **FS OUT** at the MASTER module may be used for viewing or utilising the frame synchronisation of the TDM decoding system.

(iv) TDM Operation

Always ensure that the digitising scheme(s) selected at the PCM DECODER modules corresponds to the digitising scheme(s) selected at the PCM ENCODER modules.

BASIC SPECIFICATIONS

Input PCM DATA serial, TTL level data stream in offset binary format

Input Format 8 bits, including frame synchronisation bit as LSB

Digitising Formats 7-bits linear, 4-bits linear, and 4-bits companded

Companded Formats TIMS 4-bit **A**₄-Law, and TIMS 4-bit **μ**₄-Law (PCB selectable)

Bit Clock Input <10kHz, TTL level; positive edges of **CLK** & **PCM DATA** coincident

Output Signal +/-2Vpk, DC coupled

Frame Synchronisation LINE and EMBEDDED modes

LINE Mode synchronisation signal coincident with frame's LSB

EMBEDDED Mode search and extract "0 - 1 - 0 - 1" code in LSB of each frame

EMBEDDED Mode Search 32, 64, 128 and 256 consecutive frame synch bits (PCB switch)

TDM Mode two channel TDM system, with MASTER/SLAVE control of two PCM DECODER modules

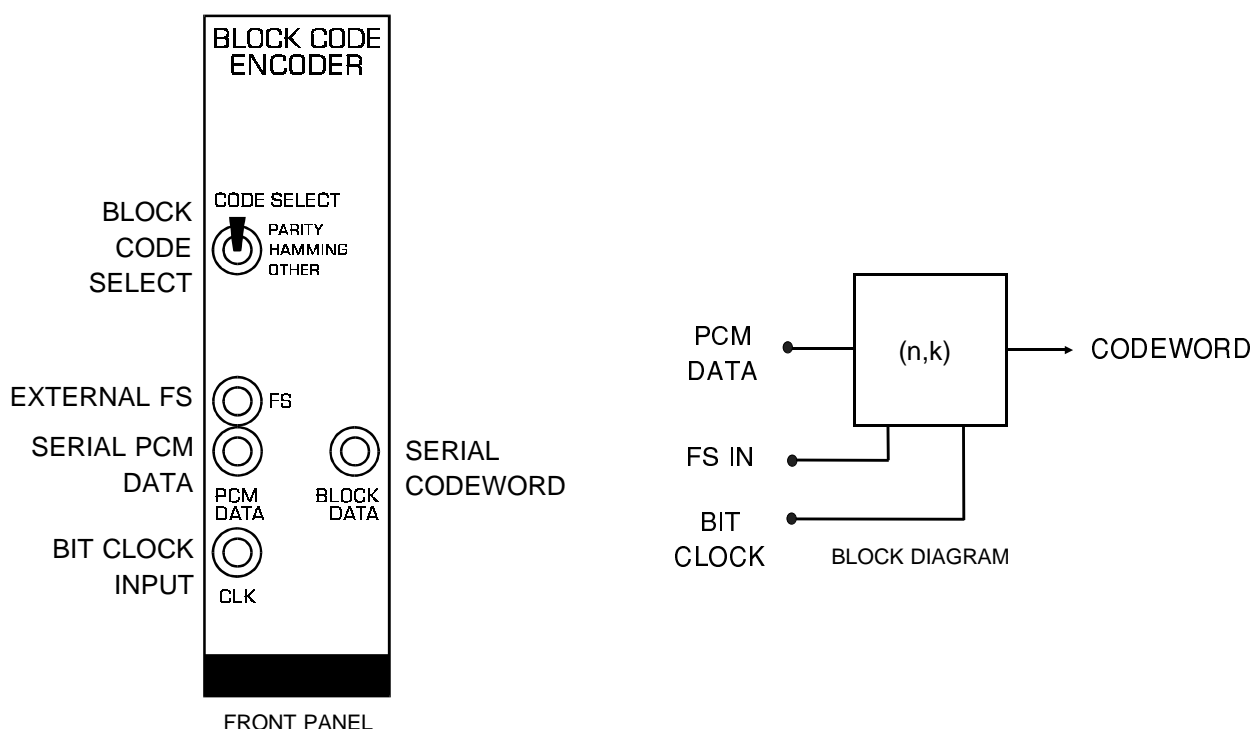
BLOCK CODE ENCODER

Specifically formatted 8 bit frames of data are input and 8 bit codeword frames are output.

Check bits generated by the selected linear code are *inserted* into predetermined bit positions within the frame. Note that this encoder will maintain a constant frame length of 8 bits by replacing up to 3 *redundant data bits* with *check bits*, depending upon the selected linear code.

All three digital input signals must always be provided.

Code selection is made via a front panel switch.



USE

INPUT SIGNALS

All three TTL level input signals must be provided for correct operation:

- A TTL level bit CLOCK, synchronised and in-phase with the serial, PCM format, data.
- A TTL level DATA stream, pre-formatted in frames of 8 bits. Correctly pre-formatted data is provided by the PCM ENCODER module, with **4-bit digitising** selected.
- A TTL level FRAME SYNCHRONISATION signal, as provided by the PCM ENCODER module.

An alternative source of digital data and frame synchronisation signals may be obtained from the SEQUENCE GENERATOR module, with the optional *PCM-SIMULATION* EPROM installed.

CODE SELECTION

Three codes are provided for encoding the data. Selection is made via a front panel toggle switch.

The actual codes available depend upon the EPROM version provided. Refer to the following table for available codes,

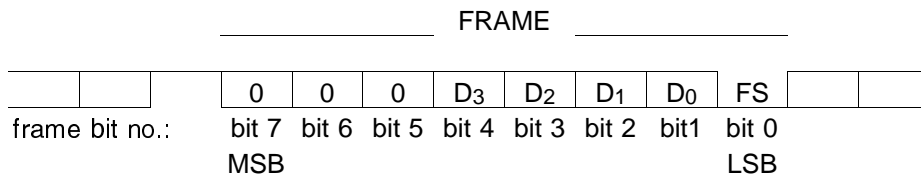
EPROM VERSION	CODE 1	CODE 2	CODE 3
BLKe1.x	Even Parity - single bit error detect.	Hamming (7,4) - single bit error correct.	*Set-Up - with C_x bit error detect.
BLKe2.x	Even Parity - single bit error detect.	Hamming (7,4) - single bit error correct.	Odd Parity - single bit error detect.
BLKe3.x	Even Parity - single bit error detect.	Hamming (7,4) - single bit error correct.	Cyclic

* "Set-Up" is provided as a special mode to allow setting-up of experiments more easily. The PCM DATA frame is passed straight through, from **PCM DATA** input to **BLOCK CODE** output, without alteration.

PCM and CODEWORD BIT FORMATS

(i) Input Frame

The required format at the **PCM DATA** input is either TIMS PCM ENCODER 4-bit scheme: refer to PCM ENCODER module's user instructions in this manual. The frame's bit assignments are summarised below,



Frame length: 8 bits

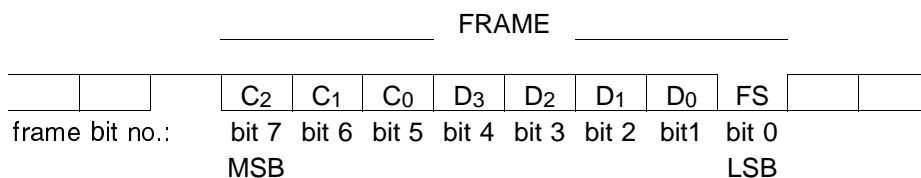
Bit 0 (least significant bit): frame synchronisation bit, FS

Bits 1 to 4: message bits, D_x ; bit 4 is the most significant message data bit

Bits 5 to 7: zero, (redundant data bits)

(ii) Output Frame

The **BLOCK CODE ENCODER** module outputs codeword bits in the following frame format,



Frame length: 8 bits

Bit 0 (least significant bit): frame synchronisation bit, FS

Bits 1 to 4: message bits, D_x ; bit 4 is the most significant message data bit

Bits 5 to 7: check bits, C_x , used for encoding

- Parity Bit is bit 5; C_1 & C_2 are set to zero

- Hamming and Cyclic check bits are bits 5, 6 and 7.

FRAME SYNCHRONISATION

The BLOCK CODE ENCODER module uses the frame synchronisation signals generated by preceding modules, such as the PCM ENCODER module. Note that the BLOCK CODE ENCODER module does not generate any separate or independent frame synchronisation signals and does not alter the embedded frame synchronisation bit, bit 0.

(i) External Frame Synchronisation Signal

When an external frame synchronisation signal is required, then the **FS** terminal at the PCM ENCODER module's output must be used and passed-on to the required modules.

(ii) Embedded Frame Synchronisation

The BLOCK CODE ENCODER module passes the embedded Frame Synchronisation information, at bit 0, from input to output, without alteration.

Refer to the PCM ENCODER module's user instructions in this manual for further details regarding frame synchronisation.

TDM MODE

TDM data streams, constructed by preceding PCM ENCODER modules connected in parallel (refer to PCM ENCODER module user instructions in this manual), are transparent to the operation of the BLOCK ENCODER module.

Only one BLOCK CODE ENCODER module is required to encode the TDM data.

The two PCM ENCODER modules must have a 4-bit digitising scheme selected to enable the BLOCK CODE ENCODER module to function correctly. The same or different 4-bit digitising schemes may be selected simultaneously.

Note that all three modules must be supplied with the same bit clock, **CLK**.

BASIC SPECIFICATIONS

PCM Data Input serial, TTL-level

PCM Data Input Format 8 bit frame, with 3 most significant bits zero,
4 message bits (bit 4 is most significant data bit) and
bit 0 (LSB) is the embedded frame synchronisation bit

Bit Clock Input typically 2kHz, (<8kHz maximum), TTL-level

Output Block Data serial, TTL-level

Output Block Data Format 8 bit frame, with 7 bit codeword plus,
LSB as embedded frame synchronisation bit;
1, 2 or 3 most significant bits allocated as check bits, depending
upon the selected code

Frame Synchronisation Input **FS** synchronisation signal is taken from the preceding
module, typically the PCM ENCODER module

Embedded Frame Synchronisation Signal is not altered by the encoding process

Linear Block Codes dependent upon EPROM version installed:

Parity - even; Hamming - single error correction; Parity - odd; Cyclic.

TDM Mode compatible with data generated by two PCM ENCODER modules operating in
TDM mode

BLOCK CODE DECODER

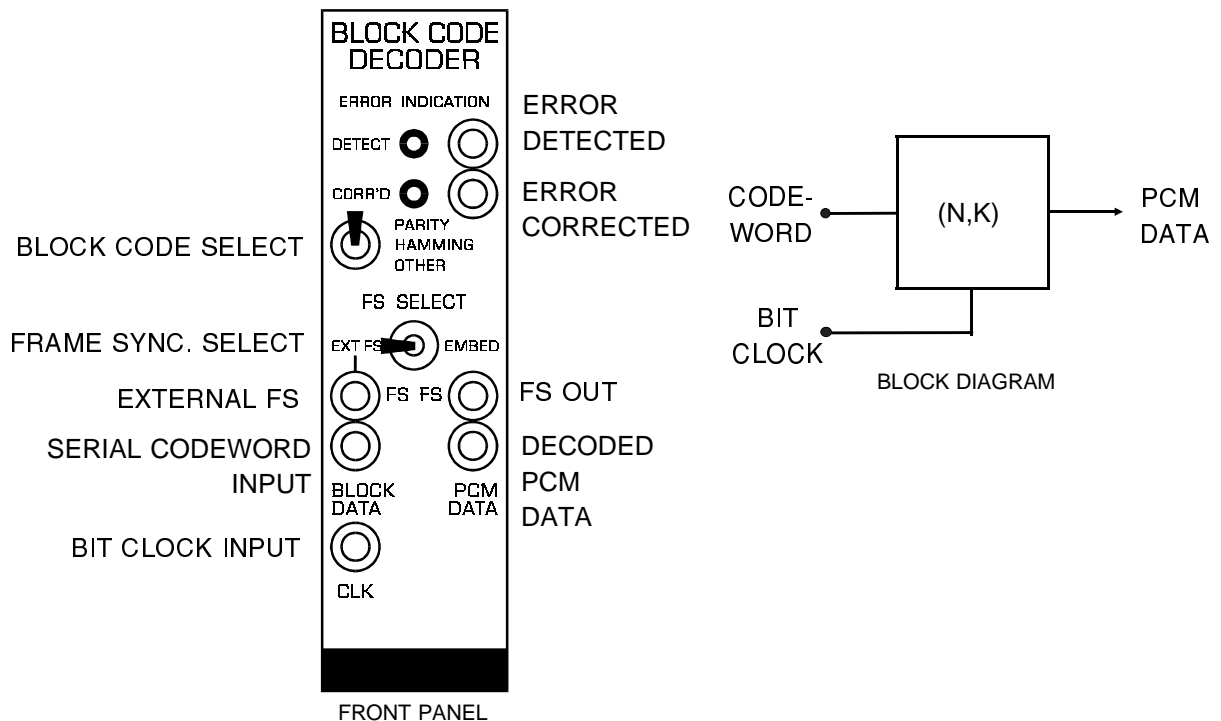
Frames of digital data which have been encoded using the BLOCK CODE ENCODER module are decoded with error detection and/or correction, depending upon the selected code.

Error detection and error correction indication & output signals are provided, as appropriate to the selected code.

Frame synchronisation may be achieved either from an external synchronisation signal or may be extracted from the embedded frame synchronisation code within the data received stream.

The bit clock provided must be synchronised and in-phase with the incoming digital data.

Code selection is made via a front panel switch.



USE

INPUT SIGNALS

Two TTL-level digital signals are required for correct operation: **BLOCK DATA**, the encoded serial digital data and, **CLK**, a synchronised and in-phase bit clock.

Both these signals must be "clean", squared digital signals. Note that the TIMS DECISION MAKER module may be required to "clean-up" digital signals that have undergone any kind of distortion.

BLOCK DATA

The format of the serial data expected at the **BLOCK DATA** input is exactly as generated by the TIMS BLOCK CODE ENCODER module: 8 bit frame length, with 7 bit codeword and a frame synchronisation bit at bit 0 (LSB).

PCM DATA OUTPUT

The format of the serial data expected at the **PCM DATA** output is the TIMS standard 4-bit digitised scheme: 8 bit frame length, with 3 most significant bits zero, 4 message bits (bit 4 is the most significant data bit) and bit 0 (LSB) is the embedded frame synchronisation bit.

Refer to PCM ENCODER module user instructions in this manual for further details.

CODE SELECTION

Three codes are provided for decoding codewords generated by the BLOCK CODE ENCODER module. Selection is made via a front panel toggle switch.

The actual codes available depend upon the EPROM version provided. Refer to the following table for a listing of available codes,

EPROM VERSION	CODE 1	CODE 2	CODE 3
BLKd1.x	Even Parity - single bit error detect.	Hamming (7,4) - single bit error correct.	*Set-Up - with C _x bit error detect.
BLKd2.x	Even Parity - single bit error detect.	Hamming (7,4) - single bit error correct.	Odd Parity - single bit error detect.
BLKd3.x	Even Parity - single bit error detect.	Hamming (7,4) - single bit error correct.	Cyclic

* "Set-Up" is provided as a special mode to allow setting-up experiments more easily. The PCM DATA frame is passed straight through the BLOCK CODE ENCODER module, from **PCM DATA** input to **BLOCK CODE** output, without alteration. Error detection at the BLOCK CODE DECODER module takes the form of simply testing that the input frame's three zero bit locations, bits 5 to 7, are zero: if a non-zero is detected, then the **ERROR DETECTED** output will output a pulse for each frame in error.

ERROR INDICATION

The BLOCK CODE DECODER module will provide a visual indication of occurrences of error detection and/or error correction. As well, TTL-level signal outputs are provided to allow electronic counting of detection/correction events.

The signal at each **ERROR INDICATION** output is a bit-wide pulse which will be output once per each frame in error.

Only *one* of the two **ERROR INDICATION** outputs is active for each Block Code selected:

- The **ERROR DETECT** LED and output is only active for codes that can detect and not correct errors.

When a error is detected, the **DETECT** LED will flash and a single pulse will occur at the **DETECT** output. For example, the Parity Check Codes, will only provide error detection for single bit errors and errors of odd numbers of bits.

- The **ERROR CORRECTED** LED and output is only active for codes that can detect and correct errors: for these codes, the **ERROR DETECT** output is *not* active.

When an error is detected and correction attempted, the **CORRECTED** LED will flash and a single pulse will occur at the **CORRECTED** output. For example, the Hamming Code will provide single bit error detection and correction and so only uses the **ERROR CORRECTED** LED and output.

Note that the pulse width of the output ERROR INDICATION signals is very narrow and hence the intensity of the LED indicator may not be easily discernible if there are very few or sporadic errors. Hence errors should normally be counted and monitored electronically. The LED indicators are primarily intended to alert the user to severe and gross system errors.

FRAME SYNCHRONISATION

Two methods are used to recover frame synchronisation: "EXTERNAL" makes use of a separate TTL level input signal connected to EXTERNAL **FS**, and "EMBEDDED" extracts the embedded code within the digitised serial data. The method required is selected by front panel switch, **EXTERNAL** or **EMBEDDED**.

(i) EXTERNAL Mode

In **EXTERNAL** mode, the separate frame synchronisation input signal, EXTERNAL **FS**, must normally be low and should only go high for one bit period, coincident with the least significant bit of the PCM code word, bit 0. Note that **FS OUT** is not active in this mode.

(ii) EMBEDDED Mode

In **EMBEDDED** mode, the TMS BLOCK CODE DECODER module will "search" and "extract" the embedded code from the incoming serial data. In this mode, the BLOCK CODE DECODER module will also output the resulting extracted frame synchronisation signal at **FS OUT**. (Note that the TMS PCM ENCODER module embeds a uniquely defined "0 - 1 - 0 - 1" repeating sequence within the digitised code words.)

Four "search" length options are provided. In each case the BLOCK CODE DECODER searches for the selected number of consecutive frame synchronisation bits, that is, consecutive "0 - 1 - 0 - 1 ..." transitions, before "locking on"..

The number of consecutive search bits is selected by PCB mounted switch, SW3, as follows,

SW3a	SW3b	CONSECUTIVE SEARCH BITS
OFF	OFF	32 bits
OFF	ON	64 bits
ON	OFF	128 bits
ON	ON	256 bits

PCM DECODER synchronisation search length options

Once the preselected number of consecutive frame synchronisation bits has been found, the BLOCK CODE DECODER module locks onto and monitors the synchronisation sequence. If the sequence is lost, the BLOCK CODE DECODER module maintains the previous lock position until a new, valid lock position is found.

TDM MODE

There is no difference between decoding an encoded single channel data stream to decoding an encoded TDM data stream with the BLOCK CODE DECODER module.

Only one BLOCK CODE DECODER module is required to decode the encoded TDM data.

The TDM block encoded data is patched directly to the BLOCK CODE DECODER module's input. The BLOCK CODE DECODER module's output is patched directly to each of the two PCM DECODER modules' inputs. Note that all three modules must be supplied with the same bit clock, **CLK**.

Refer to the PCM DECODER module's user instruction in this manual, regarding TDM mode.

BASIC SPECIFICATIONS

Block Data Input serial, TTL level

Block Data Input Format fixed 8 bit frame length, with 7 bit codeword plus, LSB as embedded frame synchronisation bit; 1, 2 or 3 most significant bits allocated as check bits, depending upon selected code

Bit Clock Input typically 2kHz, (<8kHz maximum), TTL level; positive edges of **CLK & BLOCK CODE DATA** coincident

Output PCM Data serial TTL level

Output PCM Data Format fixed 8 bit frame, with 3 most significant bits zero, 4 message bits (bit 4 is most significant data bit) and bit 0 (LSB) is embedded frame synchronisation bit]

Frame Synchronisation LINE and EMBEDDED modes

LINE Mode synchronisation signal coincident with frame's LSB

EMBEDDED Mode search and extract "0 - 1 - 0 - 1" code in LSB of each frame

EMBEDDED Mode Search 32, 64, 128 and 256 consecutive frame synch bits (PCB switch)

Linear Block Codes dependent upon EPROM version installed:

Parity - even; Hamming (7,4) - single error correction; Parity - odd; Cyclic

Error Indication LED and TTL-level pulse output of error detection and error correction events

TDM Mode compatible with PCM DECODER modules in TDM mode

CONVOLUTIONAL CODE ENCODER

CONVOLUTIONAL ENCODER SECTION GUIDE

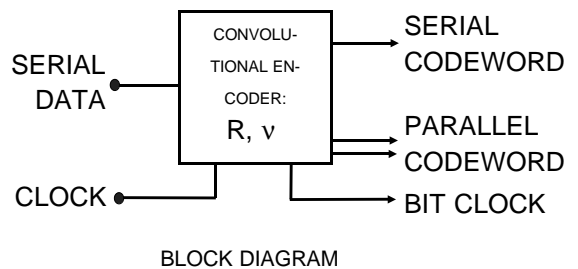
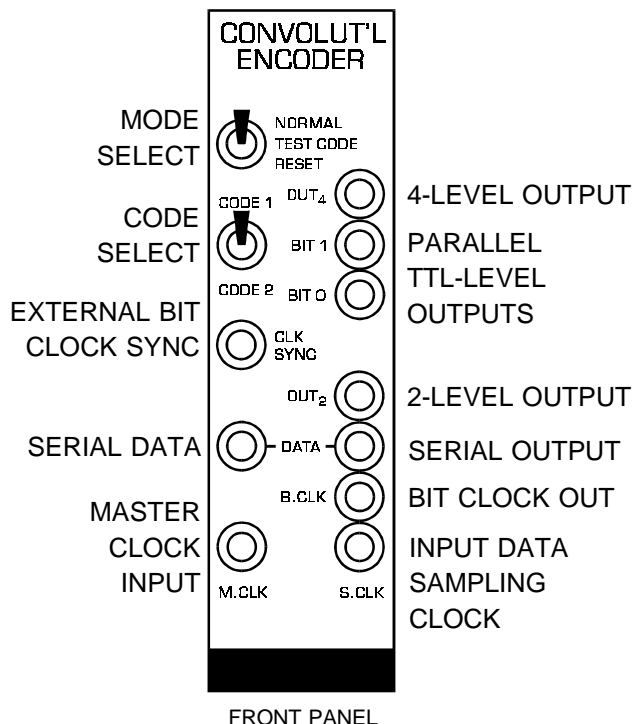
USER INFORMATION	53
BASIC SPECIFICATIONS	57
TECHNICAL DETAILS	58
*QUICK OPERATING GUIDE	60
REFERENCES	61

A continuous sequence of data bits is mapped into a continuous sequence of convolutionally encoded bits.

Two different convolutional encoders are provided: one *systematic* and one *nonsystematic*.

Output coded bits are presented in both serial and parallel TTL-level format, as well as 2-level and 4-level bipolar format. Required bit clock signals are generated within the encoder module, derived from a single master clock input. Provision is made for synchronisation of the encoder bit clock signals with the bit clocks of other clocked modules.

A test pattern setting is provided to allow automatic *branch word synchronisation* by the convolutional decoder, to the encoder module's output sequence.



USE

INPUT SIGNALS

Two input signals are required for correct operation: **DATA** and **M.CLK**. The third input, **CLK SYNC** is only used under special conditions.

M.CLK Input

The master clock, **M.CLK**, must be a TTL-level signal, such as the TIMS MASTER SIGNALS module's **8.33kHz SAMPLING CLOCK** output.

DATA Input

The **DATA** input requires a TTL-level sequence of digital data, which is *synchronised and in-phase* with the encoder module's own sampling bit clock, **S.CLK**. Digital data may be obtained from the SEQUENCE GENERATOR module or from the PCM ENCODER module.

NOTE: The CONVOLUTIONAL ENCODER module's S.CLK output *must* be used as the input clock signal to the module providing the digital data sequence to the CONVOLUTIONAL ENCODER module.

CLK SYNC Input

The external bit clock synchronisation input, **CLK SYNC**, requires a TTL-level clock signal. This input is reserved *only* for the situation where there are one or more digital modules operating simultaneously with the CONVOLUTIONAL ENCODER module *and* all these module's bit clocks are *independently* derived from a higher frequency master clock signal, such as the TIMS MASTER SIGNALS **8.33kHz SAMPLING CLOCK**.

Connection to the **CLK SYNC** input and usage is discussed later under the heading BIT CLOCK SYNCHRONISATION.

CODE SELECTION

Two codes are provided for encoding the data. Selection is made via a front panel toggle switch.

CODE 1 is a simple nonsystematic convolutional code with rate, $R = 1/2$ and constraint length, $v = 3$. The parity check polynomials and structure are given below.

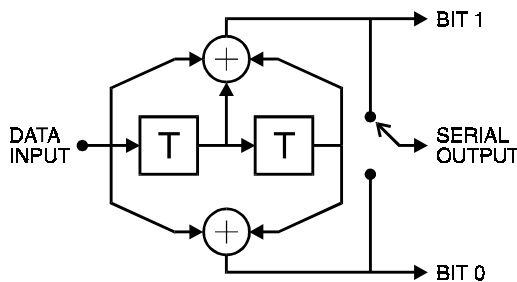


Figure 1: CODE 1 structure

Parity check polynomials for each branch of **CODE 1** are,

BIT 0 branch: $H^0(D) = D^2 + 1$ and **BIT 1** branch: $H^1(D) = D^2 + D + 1$

Note that this code structure and its analysis can often be found in digital communications text books and in technical journals, to illustrate the operation of convolutional encoders. See references (1), (2) and (3) at the end of this chapter.

CODE 2 is a systematic convolutional code with rate, $R = 1/2$, and constraint length, $v = 4^*$. The parity check polynomials and structure are given below.

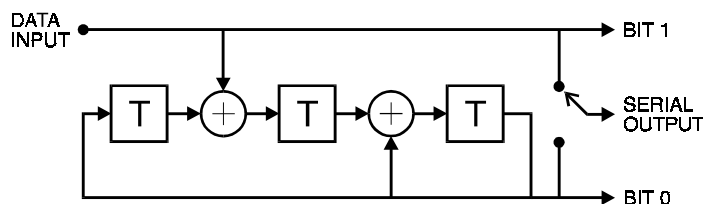


Figure 2: CODE 2 structure

Parity check polynomials for each branch of **CODE 2** are,

BIT 0 branch: $H^0(D) = D^3 + D + 1$ and **BIT 1** branch: $H^1(D) = D^2$

The parity check polynomials for **CODE 2** were designed and published as suitable for amplitude modulation applications in Trellis-Coded Modulation, by G. Ungerboeck in two IEEE publications. See references (4) and (5).

*IMPORTANT: Different definitions of constraint length, v , can be found in the literature on convolutional coding (2). Please refer to the TECHNICAL DETAILS section of this chapter for definitions used in this chapter.

MODE SELECTION

The operating mode is selected by a three position front panel switch.

NORMAL Mode

When in **NORMAL** mode, the encoder module maps and outputs the input data sequence into the selected convolutional code, either **CODE 1** or **CODE 2**.

TEST CODE Mode

The **TEST** mode may initially be used to assist users in familiarisation with the operation of convolutional encoders. Most importantly **TEST CODE** mode is provided as a method of achieving automatic *branch word synchronisation* at the convolutional decoder.

In **TEST CODE** mode, the data presented to the module's encoder circuit is internally switched from the data sequence at the **DATA** input to an internally generated *test data sequence*. The internal test data sequence is a stream of logical one's, "1, 1, 1, 1, etc", which provides a uniquely defined and easily identifiable output code sequence.

RESET Position

The **RESET** position clears the convolutional encoder's registers and restarts the internal clocking circuits. **RESET** need only be depressed *once* after the **M.CLK** and/or **CLK SYNC** (if **CLK SYNC** is being used) signals are *first* connected.

OUTPUT SIGNALS

One set of serial and one set of parallel encoded data output signals are provided, as well as two clock signals.

Note that the serial and parallel outputs simultaneously present the encoded data from the same encoder, **CODE 1** or **CODE 2**, whichever happens to be selected.

Serial Output

The serial encoded output sequence is presented in two signal level formats: the **DATA** output is TTL-level and the **OUT₂** output is bipolar, standard TMS-level.

NOTE: As both convolutional codes, **CODE 1** and **CODE 2**, are rate $R = 1/2$, the encoder will output *two* encoded bits for *each* input data bit.

The **B.CLK** output provides a synchronised and in-phase bit clock for **DATA** and **OUT₂** signals.

Parallel Output

Each branch of the selected convolutional encoder (refer to diagrams of encoder structure) is also output separately, providing the output encoded sequence bits in parallel. The parallel outputs are TTL-level and labeled **BIT 1** and **BIT 0**. Note that the parallel output bits are delayed in phase with respect to the serial output bits by half a cycle of the bit clock, **B.CLK**.

The two parallel bits are also presented to a 2-bit digital-to-analog converter, which outputs a 4-level bipolar signal at **OUT₄**. Output bits to output voltage mapping is indicated below,

BIT 1	BIT 0	OUT ₄
1	1	+1.5V
1	0	+0.5V
0	1	-0.5V
0	0	-1.5V

The **S.CLK** output may be used as a synchronised (though out of phase) bit clock for **BIT 1**, **BIT 0** and **OUT₄** signals.

B.CLK and S.CLK Output Clock Signals

S.CLK must be used as the bit clock for the module providing the digital data sequence: normally either the SEQUENCE GENERATOR module or the PCM ENCODER module.

B.CLK is a bit clock that is in-phase and synchronised with the serial encoded output data.

The frequency relationship between the input and output clock signals is as follows,

$$\begin{aligned} \mathbf{B.CLK} &= \mathbf{M.CLK} / 4 \\ \mathbf{S.CLK} &= \mathbf{M.CLK} / 8, \text{ and therefore} \\ \mathbf{S.CLK} &= \mathbf{B.CLK} / 2 \end{aligned}$$

where, **M.CLK** is the master input clock

B.CLK is the serial output bit clock and

S.CLK is the sampling clock used to generate the input data sequence

BIT CLOCK SYNCHRONISATION

The **CLK SYNC** input is reserved *only* for the situation where there are one or more digital modules operating simultaneously with the CONVOLUTIONAL ENCODER module *and* all these module's bit clocks are *independently* derived from the same higher frequency master clock signal.

The master clock signal is then divided within each module, to obtain the required bit clock. The relationship between the higher frequency master clock signal and the derived bit clock signals must be 1/4.

As a result of the frequency division of the master clock signal, the *phases* of the derived bit clocks among the modules may not necessarily be the same. Under these conditions the **CLK SYNC** signal enables the CONVOLUTIONAL ENCODER module to align the phase of its bit clock to the phase of the other modules' bit clocks.

For example, both the LINE-CODE ENCODER module and the CONVOLUTIONAL CODE ENCODER module require a master clock signal such as the TMS MASTER SIGNALS **8.33kHz SAMPLING CLOCK**. Each module divides the master signals clock to obtain a 2kHz bit clock. When both modules are used simultaneously in the same experiment, then their bit clocks must be in-phase. To align the phases of the two modules,

- (i) Patch the 8.33kHz master clock to both modules;
- (ii) Take the 2kHz bit clock from the LINE-CODE ENCODER module and patch it to the CONVOLUTIONAL CODE ENCODER module's **CLK SYNC** input;
- (iii) **RESET** the LINE-CODE ENCODER module;
- (iv) **RESET** the CONVOLUTIONAL CODE ENCODER module.

The CONVOLUTIONAL ENCODER module, through the use of **CLK SYNC**, will synchronise its own clocking circuit to the bit clock presented at the **CLK SYNC** input.

The two module's bit clocks will now be synchronised and in-phase. Repeat the reset procedure whenever any clock signals are reset or disconnected.

BASIC SPECIFICATIONS

Master Clock Input typically 8.33kHz, (approx. 100kHz maximum), TTL-level

Sample Clock Output must be used to clock the module providing the input data sequence

Data Input serial, TTL-level

Bit Clock Output synchronised and in-phase with the serial encoded data

Output Encoded Data serial and parallel, TTL-level and bipolar formats

Serial Outputs TTL-level and bipolar TMS-level

Parallel Outputs TTL-level and equispaced 4-level bipolar signal: -1.5V to +1.5V

Convolutional Encoders front panel switch selectable,

CODE 1 nonsystematic convolutional code with rate, $R = 1/2$ and constraint length, $v = 3$

CODE 2 systematic convolutional code with rate, $R = 1/2$, and constraint length, $v = 4^*$

Operating Modes front panel switch selectable,

NORMAL the input data sequence is mapped to the selected convolutional code and output

TEST switches test sequence to encoder circuit input

Test Sequence all logical ones

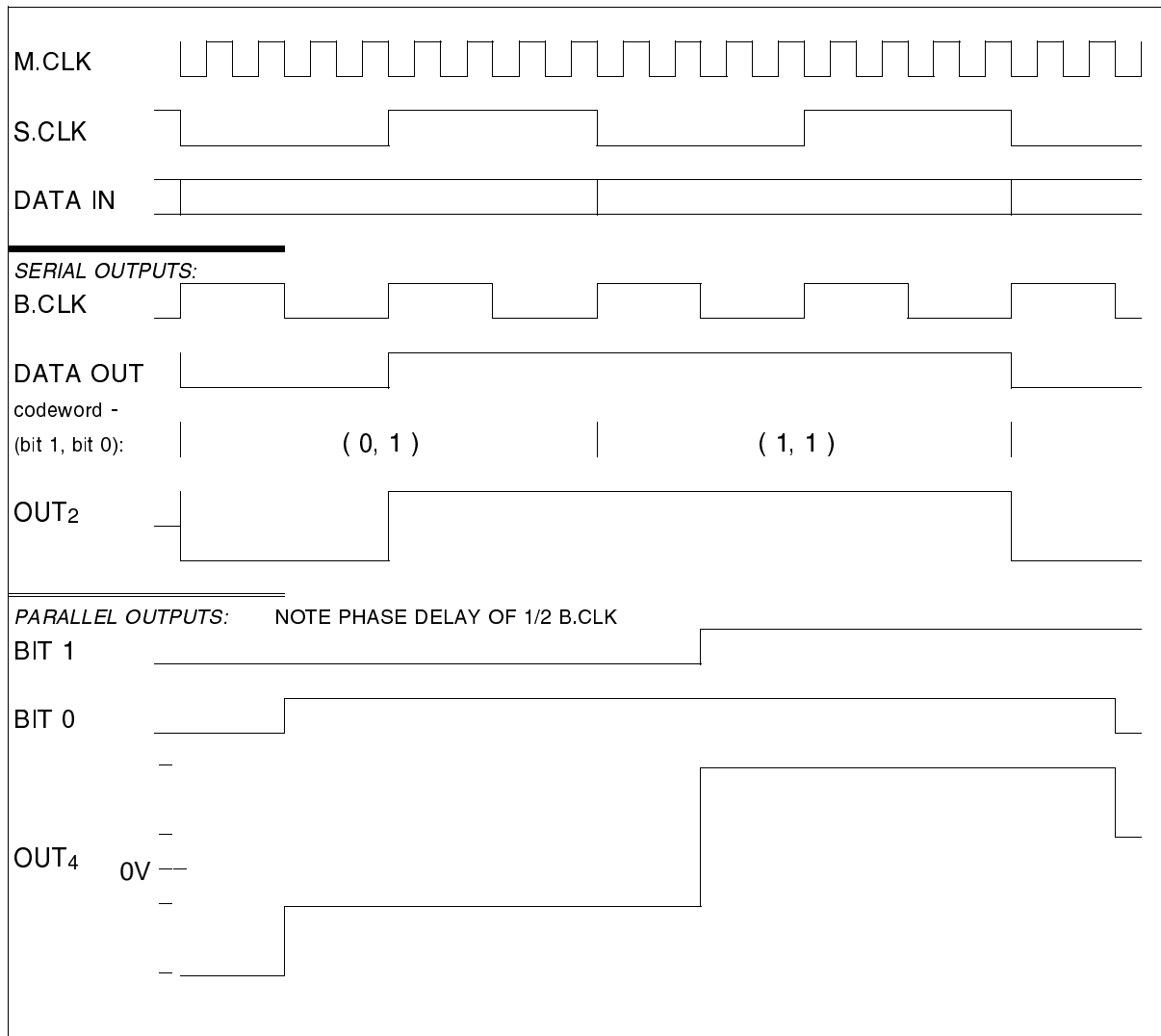
RESET clears encoder registers and resets internal clocks

CLK SYNC allows the encoder's bit clock to be aligned with other modules bit clocks

TECHNICAL DETAILS

CONVOLUTIONAL ENCODER CODEWORD BIT FORMATS

The relationship between the various clock signals and data waveform are illustrated below.



NOTE: The parallel output bits are delayed in phase with respect to the serial output bits by half a cycle of the bit clock, **B.CLK**.

CONVOLUTIONAL ENCODER TERMS AND DEFINITIONS

Systematic and Nonsystematic Convolutional Codes

In brief, convolutional codes can be classified as systematic or nonsystematic, depending on whether or not the input data sequence appears directly within the output encoded sequence.

A systematic convolutional code is one in which the input data sequence appears directly as part of the output encoded sequence.

Code Rate

Both CODE 1 and CODE 2 are rate $R=1/2$ codes, which defines the codes as producing two encoded bits for each input data bit.

Constraint Length

The constraint length, v , of a convolutional code is defined (2) as one plus the past inputs affecting the current outputs.

NOTE: Different definitions of constraint length can be found in the literature on convolutional coding (2). However in all cases constraint length is a measure of the memory within the encoder.

CODE 1

Code 1 is always defined in the literature as a constraint length $v = 3$ convolutional code. Beware that its structure may be represented with either two or three storage elements.

CODE 2

Referring to the above definition for constraint length, **CODE 2** would be classified as a constraint length, $v = 4$ convolutional code. Note that it was defined by G. Ungerboeck in (3) and (4) as being a constraint length $v = 3$ convolutional code.

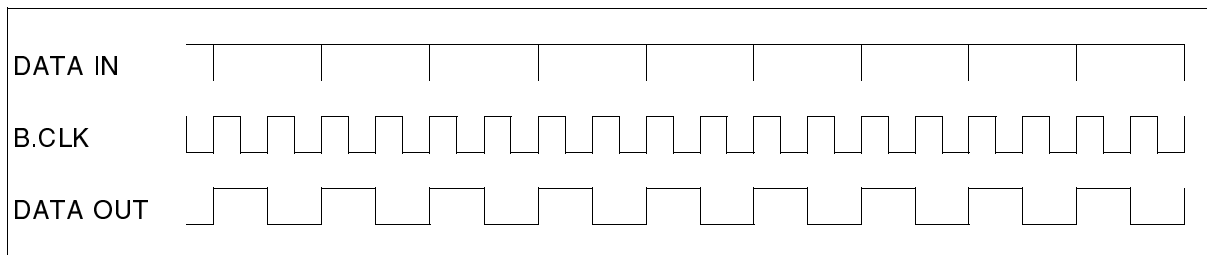
TEST SEQUENCE

The **TEST CODE** mode may initially be used to assist users in familiarisation with the operation of convolutional encoders. Most importantly **TEST CODE** mode is provided as a method of achieving automatic *branch word synchronisation* at the convolutional decoder.

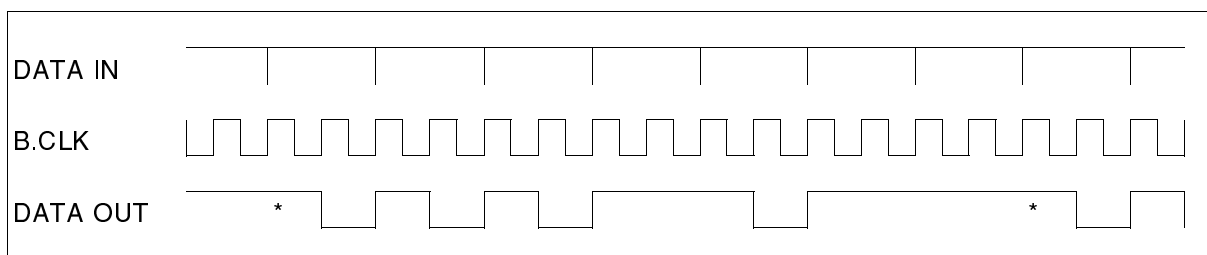
In **TEST CODE** mode, the data presented to the on-board encoder circuit is internally switched from the data sequence at the **DATA** input to an internally generated *test data sequence*. The internal test data sequence is a stream of logical one's, "1, 1, 1, 1, etc", which provides a uniquely defined and easily identifiable output code sequence.

The following are the expected outputs from each encoder in TEST mode,

CODE 1 - TEST Mode Output Waveforms



CODE 2 - TEST Mode Output Waveforms



" * " denotes repetition of the output sequence

QUICK OPERATION GUIDE

A - Setting-up and Familiarisation with Convolutional Encoders

1. Select the front panel mode switch to **TEST CODE** & the front panel code switch to **CODE 1**.
2. Plug the CONVOLUTIONAL ENCODER module into the TIMS rack.
3. Patch the TIMS MASTER SIGNALS module's **8.33kHz SAMPLE CLOCK** to the CONVOLUTIONAL ENCODER module's **M.CLK** input.
4. Depress the mode switch momentarily to **RESET**.
5. Patch the 'scope's CH1 to the encoder module's **DATA** output and the 'scope's CH2 to the bit clock output, **B.CLK**. Observe the relationship between the bit clock and the encoded output data.
6. Familiarise yourself with each of the encoder module's other outputs by moving the CH2 lead between outputs and compare with the timing diagrams given in the TECHNICAL DETAILS section of this chapter.
7. Select **CODE 2** and repeat the above steps 5 to 6.

B - Normal Operation of the Convolutional Encoder

1. Select CONVOLUTIONAL ENCODER module's front panel mode switch to **NORMAL** & the front panel code switch to **CODE 1**.
2. Plug the CONVOLUTIONAL ENCODER module into the TIMS rack.
3. Choose either the SEQUENCE GENERATOR module or PCM ENCODER module as the digital data source for the CONVOLUTIONAL ENCODER module and plug it into the TIMS rack, beside the CONVOLUTIONAL ENCODER module.
4. Patch the TIMS MASTER SIGNALS module's **8.33kHz SAMPLE CLOCK** to the CONVOLUTIONAL ENCODER module's **M.CLK** input.
5. Patch the CONVOLUTIONAL ENCODER module's **S.CLK** output to the SEQUENCE GENERATOR or PCM ENCODER module's clock input.
6. Depress the CONVOLUTIONAL ENCODER module's mode switch momentarily to **RESET** and then return the switch to the **NORMAL** position.
7. Patch the 'scope's CH1 to the encoder module's **DATA** output and the 'scope's CH2 to the bit clock output, **B.CLK**. Observe the relationship between the bit clock and the encoded output data.
6. Familiarise yourself with the encoder module's inputs and outputs and compare with the timing diagrams given in this TECHNICAL DETAILS section of this chapter.
7. Select **CODE 2** and repeat the above steps 5 to 6.

REFERENCES

- (1) B. Sklar, *Digital Communications Fundamentals and Applications*, 1988, Prentice Hall
- (2) R. E. Ziemer & R. L. Peterson, *Introduction to Digital Communication*, 1992, Macmillan Inc
- (3) Y. Jain, *Convolutional codes improve bit-error rate in digital systems*, *EDN* August 20, 1990
- (4) G. Ungerboeck, *Channel coding with multilevel/phase signals*, *IEEE Trans. Information Theory*, vol. IT-28, Jan. 1982
- (5) G. Ungerboeck, *Trellis-coded modulation with redundant signal sets - Part I: Introduction and Part II: State of the art*, *IEEE Communications Magazine*, vol. 25, no. 2, Feb. 1987

CONVOLUTIONAL DECODER

CONVOLUTIONAL DECODER SECTION GUIDE

USER INFORMATION	62
BASIC SPECIFICATIONS	64
SETTING-UP THE DSP MODULES	65
*QUICK OPERATING GUIDE	66

A continuous sequence of data bits is generated from a continuous sequence of convolutionally encoded bits.

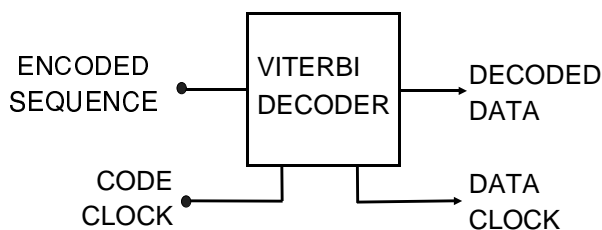
The decoder is implemented with the TIMS Digital Signal Processing modules set: TIMS-DSP and TIMS-AIB. The convolutional decoding method used the Viterbi Algorithm with hard-decision input.

A bit clock must be provided which is synchronised and in-phase with the incoming encoded sequence. The decoder also outputs a separate bit clock which is synchronised and in-phase with the decoded data.

Branch word synchronisation can be controlled manually via a front panel switch. As well, automatic branch word synchronisation can be achieved using the CONVOLUTIONAL ENCODER module's TEST CODE mode.

TIMS-AIB FRONT PANEL FACILITIES	CONVOLUTIONAL DECODER FUNCTIONS
3-position switch	Branchword synchronisation control
BIO Input	Code clock
TTL Input 1	Encoded sequence input
TTL Output 1	Decoded data clock
TTL Output 2	Decoded data

FRONT PANEL INPUT/OUTPUT ASSIGNMENTS



BLOCK DIAGRAM

USE

MODULES REQUIRED

The TIMS Digital Signal Processing module set is required: *either* the TIMS-DSP-HS development board, *or* the TIMS-320-RB run board and the TIMS-AIB analog interface board.

SOFTWARE/FIRMWARE REQUIRED

The CONVOLUTIONAL DECODER program is available in both EPROM and on floppy disk format. Note that the CONVOLUTIONAL ENCODER module includes two different convolutional encoder structures. Both the EPROM pair and floppy disk are labeled to identify which convolutional code's decoder (CODE 1 and/or CODE 2) is implemented.

INPUT SIGNALS

Two input signals are required for correct operation: **ENCODED SEQUENCE** (the AIB module's TTL Input 1) and **CODE CLOCK**, (the AIB module's **BIO** input).

Both these signals must be "clean", squared digital signals. Note that the TIMS DECISION MAKER module may be required to "clean-up" digital signals that have undergone any kind of distortion.

CODE CLOCK Input - BIO

The **CODE CLOCK** must be a TTL-level signal, and be synchronised and in-phase with the encoded sequence. **ENCODED SEQUENCE** transitions occur on positive **CODE CLOCK** edges. Refer to the timing diagrams illustrated in the CONVOLUTIONAL ENCODER module's user information.

ENCODED SEQUENCE Input - TTL Input 1

The decoder's input for TTL-level convolutionally encoded serial data.

OUTPUT SIGNALS

Two output signals are provided: **DECODED DATA** (the AIB module's TTL Output 2) and data bit clock, **CLK**, (the AIB module's TTL Output 1).

CLK - TTL Output 1

The decoded data's bit clock, **CLK**, is synchronised and in-phase with the decoded data sequence. The frequency of the **CLK** signal is half that of input **CODE CLOCK** signal.

DECODED DATA Output - TTL Output 2

The data at the output of the decoder is generated by the Viterbi Algorithm as the most likely data sequence to have been transmitted, given the received input sequence to the decoder.

Note that one data bit is generated for every two bits of received encoded sequence.

OPERATING MODE

In the decoding process, it is important that the decoder correctly determines the beginning of each codeword in the received sequence. This process is referred to as *branch word synchronisation*.

When synchronisation is incorrect, excessive errors will appear in the decoder's output.

The CONVOLUTIONAL DECODER, as implemented by the DSP modules and software, provides two methods of branch word synchronisation.

The AIB module's three position switch is used to control branch word synchronisation, in the following manner,

AIB module's SWITCH POSITION	DECODER MODE	AUTOMATIC OPERATION	MANUAL OPERATION
upper	Automatic	Requires TEST CODE as input	Not used
middle	Manual	Decodes as "normal"	Initially branch bit randomly selected
lower	Manual (reverse of middle)	Decodes as "reverse"	Branch bits reversed

Manual Operation

Manual operation occurs when decoding commences immediately after the RESET of the DSP module and the 3-position switch is in either the **middle** or **lower** position.

Under manual operation, the branchword bit orientation is initially selected at random and decoding commences. The user will need to switch between the **middle** and **lower** switch positions, to determine which is the correct branchword bit orientation for decoding.

Alternating between the **middle** and **lower** switch positions will alternate the branch word bit orientation. The incorrect position will result in continuous and severe errors in the decoded data.

Automatic Operation

As illustrated in the CONVOLUTIONAL ENCODER module's user information, the encoded sequence of a known test code is well defined and therefore allows the CONVOLUTIONAL DECODER to identify the orientation of bits 0 and 1 within the serial codeword.

Automatic operation requires initial transmission of a test code sequence by the CONVOLUTIONAL ENCODER module, to which the CONVOLUTIONAL DECODER synchronises itself.

Automatic operation requires the following setting-up procedure.

- (i) The CONVOLUTIONAL ENCODER module's mode switch must be switched to **TEST CODE**.
- (ii) The CONVOLUTIONAL DECODER (AIB module) is then switched to **automatic (upper position)**. Note that decoding does *not* occur in the **upper** switch position.
- (iii) The CONVOLUTIONAL DECODER (AIB module) acknowledges that it has achieved synchronisation by turning "on" the AIB module's LED.
- (iv) Select the **middle** position at the CONVOLUTIONAL DECODER, for correct decoding.
- (v) Return the CONVOLUTIONAL ENCODER module's mode switch to **NORMAL**.

Changing the switch to the **lower** position will illustrate incorrect decoding.

The above steps must be repeated if any of the *clock signals* at the encoder or if the *clock signal* to the decoder are interrupted or reset.

BASIC SPECIFICATIONS

Modules Required TIMS-DSP-HS, or, TIMS-DSP-RB and TIMS-AIB

Firmware/Software Required EPROM pair or floppy disk, with CODE 1 and/or CODE 2 decoder program

Decoder Technique Implemented Viterbi algorithm, with hard decision inputs

Code Clock Input typ. 2kHz, TTL-level, synchronised and in-phase with the code sequence

Code Sequence Input TTL-level convolutionally encoded sequence

Data Output decoded, TTL-level data sequence

Clock Output typ. 1kHz, TTL-level, synchronised and in-phase with the data sequence

Branch Word Synchronisation automatic, requiring test code sequence, and manual control

SETTING-UP THE DSP MODULES

Please refer to the DSP User Manual for detailed setting-up and user information. The following is intended only as quick reference guide.

Setting-up the TIMS-DSP-HS & TIMS-DSP-RB

EPROM Operation - both TIMS-DSP-HS & TIMS-DSP-RB

- (i) Plug the EPROMs into the TIMS-DSP module. Note that two EPROMs are required for the TIMS-DSP-RB module: the EPROM labeled **HI** located in U5 and the EPROM labeled **LO** located in U6.
- (ii) Ensure the MEMORY SELECT JUMPERS in the TIMS-DSP-RB module are set for EPROM/RAM mode: A1,A2,A3 & A4 and Jumper J1 should be in position **L**.
- (iii) Plug the DSP module into the TIMS rack.

RAM Operation - TIMS-DSP-HS only

- (i) Ensure the MEMORY SELECT JUMPER is set for RAM mode.
- (ii) Ensure that EPROMs is not installed.
- (iii) Plug the DSP module into the TIMS rack.
- (iv) Connect the DSP module's SERIAL LINK to your computer's serial port reserved for communications with the DSP module and down load the decoder program required.

Setting-up the TIMS-AIB (used only with TIMS-DSP-RB module)

- (i) Remove the jumper at J1. **NOTE: jumper J1 must NOT be connected.**
- (ii) Plug the AIB module into the TIMS rack, immediately to the right of the DSP module.

The TIMS-DSP modules are now ready for operation.

QUICK OPERATION GUIDE

A - Setting-up the Convolutional Decoder with Automatic Branch Word Synchronisation

1. Set-up the CONVOLUTIONAL ENCODER module and verify correct operation.
2. Set-up the DSP modules as described previously in this chapter.
3. Pass a "stolen" clock from the encoder to the decoder by patching the CONVOLUTIONAL ENCODER module's **B.CLK** output to the AIB module's **BIO** input.
4. Patch the encoded sequence from the CONVOLUTIONAL ENCODER module to the AIB module's TTL Input **1**.
5. Select **TEST CODE** mode at the CONVOLUTIONAL ENCODER module.
6. Select the **upper** switch position at the AIB module. After the LED is lit, return the switch to the **middle** position.
7. Confirm that the decoded data at the AIB module's TTL Output **2** is a constant logical high. (Recall that the test code at the CONVOLUTIONAL ENCODER module is a constant logical high.)
8. Select the **lower** position at the AIB module's switch. Observe at the AIB module's TTL Output **2**, that the CONVOLUTIONAL ENCODER module's test code is no longer being correctly decoded.
9. Return the AIB module's switch to the **middle** position, for correct decoding.
10. Change the CONVOLUTIONAL ENCODER module's mode switch to **NORMAL**.
11. The convolutional encoder and decoder set are now ready for correct operation.

INTEGRATE & DUMP

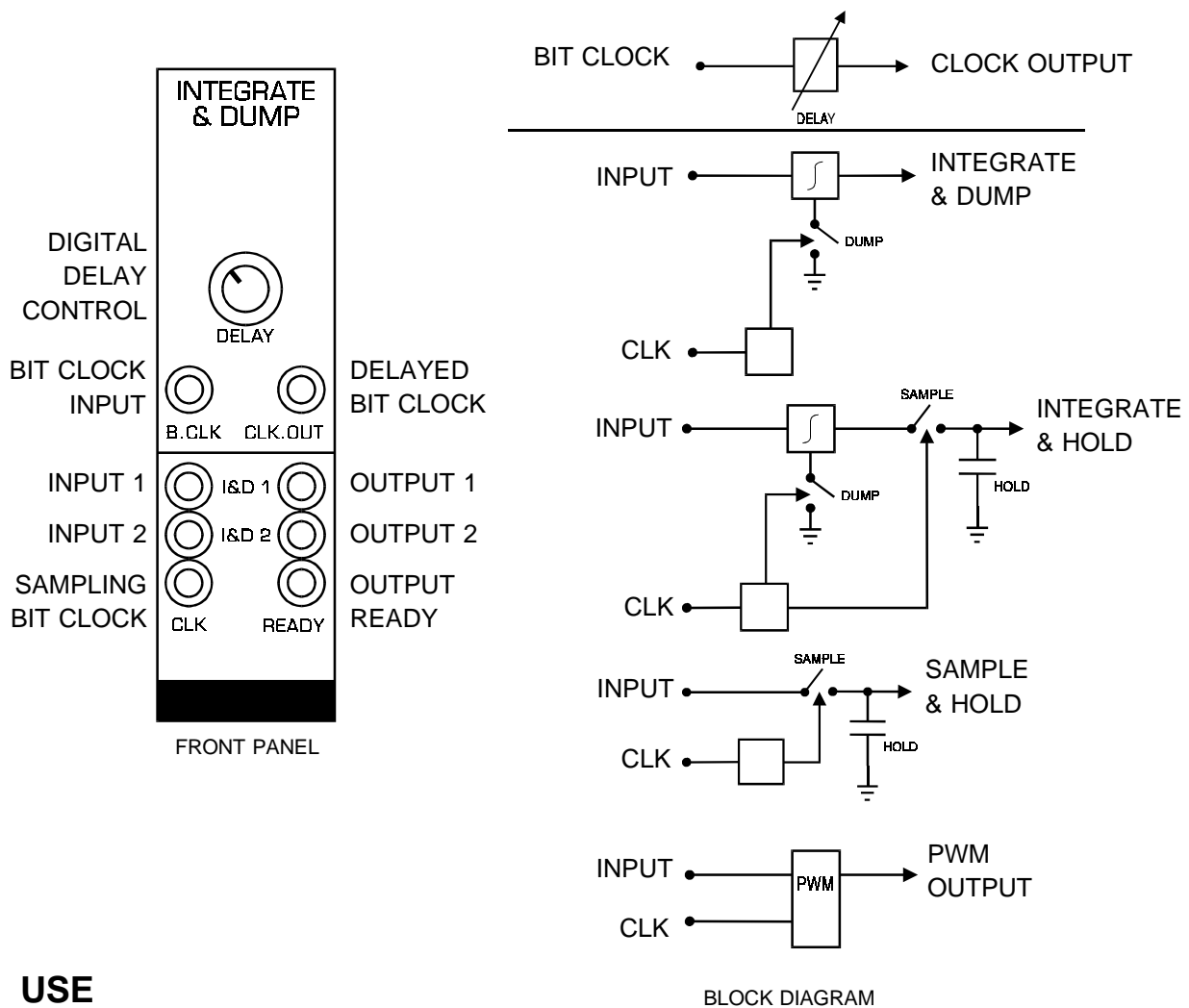
Two independent functional blocks are provided. The first block is a variable digital delay for TTL level clock signals, and may be used for aligning the phase of a bit clock to a data stream.

The second block includes dual channel sampling, integrate & dump and holding functions which can be switched in three combinations,

Sample & Hold;
Integrate & Dump;
Integrate & Hold.

A fourth, switch selectable function is only available on channel 1,

Pulse Width Modulation,
 which can be used in PWM, and along with other TIMS modules, in PPM applications.



USE

DIGITAL DELAY

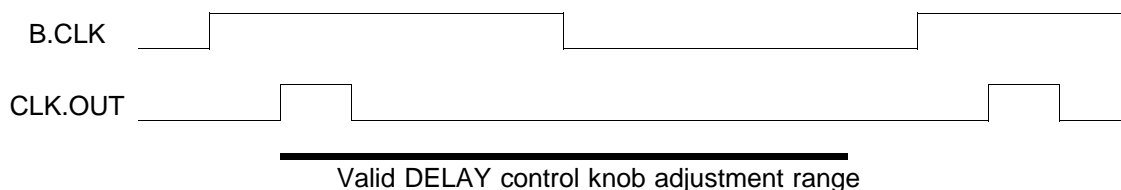
The variable digital delay accepts a standard TTL level signal at the **B.CLK** input and also outputs a standard TTL level signal at the **CLK.OUT** output.

Adjusting the **DELAY** control knob provides a digital phase delay function by varying the time between the positive edge of the signal at the **B.CLK** input, with respect to the positive edge of the output signal at **CLK.OUT**. Note that the duty cycle of the input signal is not maintained during the digital delay function. The output signal at **CLK.OUT** is a fixed pulse of about 10µsec width.

The **DELAY** control knob will vary the digital delay time from, approximately, 10µsec to 1.5msec, over four user selectable ranges. The adjustment range is selected via the PCB mount switch, SW3. Refer to the following table for switch settings,

SW3-2 (A)	SW3-1 (B)	DELAY ranges
OFF	OFF	10µs - 100µs
OFF	ON	60µs - 500µs
ON	OFF	100µs - 1ms
ON	ON	150µs - 1.5ms

The timing diagram below illustrates the relationship between the input signal **B.CLK** and the output signal **CLK.OUT**.



Caution: always ensure that the **CLK.OUT** pulse remains within the **B.CLK** cycle, as illustrated above. Extending the **CLK.OUT** pulse into the following cycle will cause invalid operation.

SAMPLING & INTEGRATING FUNCTIONS

The sampling and integrating block provides two identical channels which operate simultaneously with a common sampling clock.

Each channel, **I&D1** and **I&D2**, takes a standard TIMS level analog input. The output signals are analog level.

The two channels require a bit clock for operation which is provided via the **CLK** input. A standard TTL level signal is required.

The **READY** output pulse is only used when *sample & hold* or *integrate & hold* functions are selected. The positive edge of the **READY** pulse occurs immediately after the signal at the **I&D1** or **I&D2** outputs has been updated and has settled.

(i) Mode select

Each channel of the sampling and integrating block includes three circuit functions: a sampler, an integrator and a hold circuit. The user can select the configuration of these circuit functions via two PCB mount, rotary switches: SW1 for channel **I&D1**, and SW2 for channel **I&D2**. The available configurations, the corresponding PCB labels and functional descriptions are given below.

Label	Function	Description
S&H1 S&H2	Sample & Hold	The input signal is sampled, held and output after the occurrence of each positive CLK edge.
I&H1 I&H2	Integrate & Hold	The input signal is integrated over the period of the CLK signal. At the occurrence of each positive CLK edge, the integrator value is transferred to a hold circuit, updating the value at the output. The integrator is then dumped and a new integration period commences.
I&D1 I&D2	Integrate & Dump	The input signal is integrated over the period of the CLK signal. During the occurrence of each READY pulse, the integrator is dumped and a new integration period is commenced. The integrator output is available at the channel's front panel output terminal.

(ii) Integrator time constants

The following table summarizes the components and values associated with the integrator time constant of each channel.

Channel	Integrator's R	Integrator's C	Comments
I&D1	330kohm - R7	470pF - C4	- Fixed RC
I&D2	330kohm - R26	470pF - C34 470pF - C44	- Jumper J1 <i>open</i> : only C34 selected. - Jumper J1 <i>shorted</i> adds C44 to C34 (jumper at the "IN" position).

IMPORTANT NOTE: The integrator both *integrates* and *inverts* the input signal.

PULSE WIDTH MODULATION FUNCTIONS

The sampling and integrating block also provides a pulse width modulation - PWM - function, on channel 1, **I&D1**. PWM mode is selected using the PCB mount rotary switch, SW1.

The analog message is presented to the **I&D1** input, with the TTL level PWM clock presented to the **CLK** input. The TTL level PWM signal is available at the **I&D1** output.

The negative or falling edge of the PWM output signal remains fixed with respect to the input PWM clock signal **CLK**: it is the *positive* or *rising edge* that varies the pulse's width.

Note that the operation of the PWM function is directly affected by *both* the amplitude of the analog message *and* the frequency of the PWM clock. Therefore these two parameters must be observed when setting up a PWM system.

(i) PWM Settings

The default amplitude and PWM clock parameters required in order to achieve a PWM signal with a 10% to 90% pulse width range are given in the table below, along with parameter limits.

PWM clock frequency at CLK input	Message amplitude at I&D1 input	Comments
1kHz	-2V to +2V	Default parameters to achieve 10% to 90% PWM
500Hz < CLK < 10kHz	+/-5V to +/-0.5V	Typical maximum and minimum parameter settings

When parameters other than the default settings are used, it is recommended that the BUFFERS module is used to scale the message amplitude for required PWM operation.

(ii) Pulse Position Modulation Function

The INTEGRATE & DUMP and the TWIN PULSE GENERATOR modules may be used together to provide a pulse position modulation function.

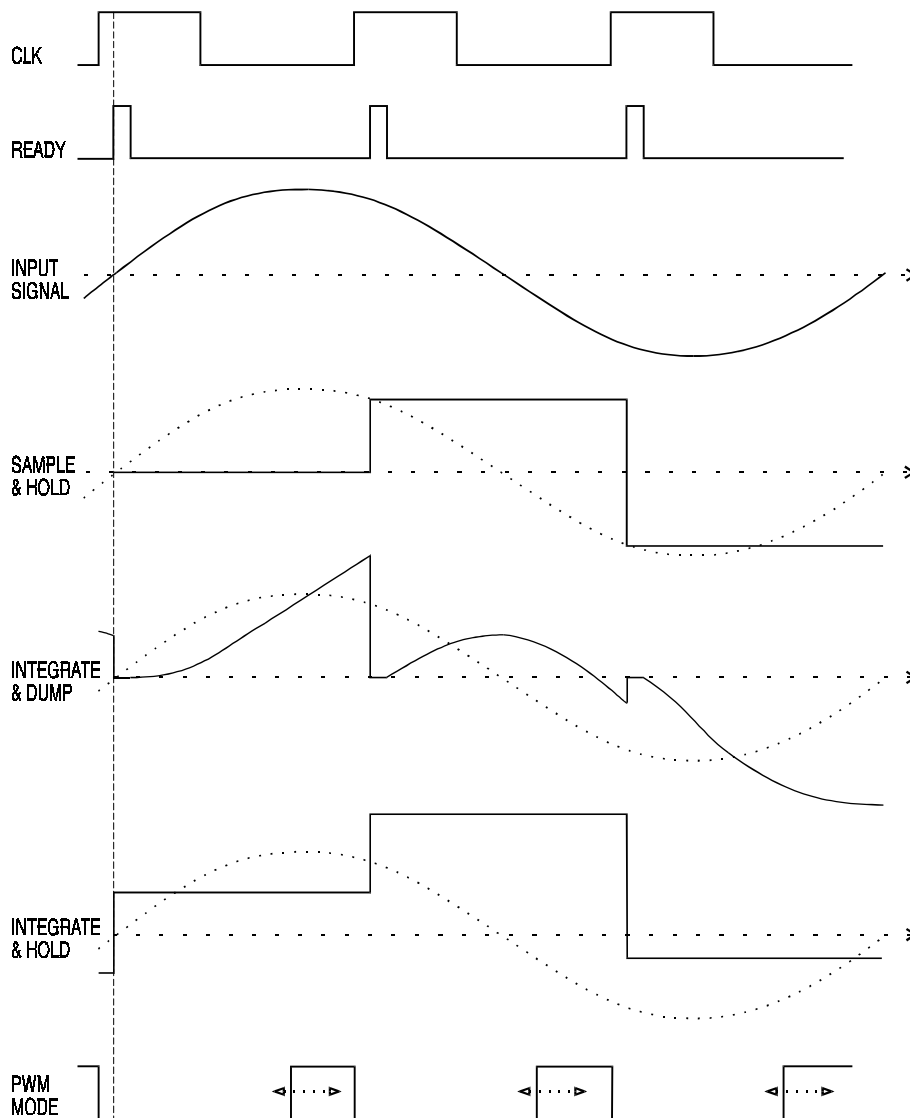
To set up PPM, first the INTEGRATE & DUMP module must be set up for correct PWM operation.

The second step is to use the PWM output signal to clock the TWIN PULSE GENERATOR module's clock input, **CLK**. Ensure that SINGLE mode is selected on the TWIN PULSE GENERATOR module's PCB mount slide switch. The TWIN PULSE GENERATOR module's outputs then both produce a pulse position modulation signal.

Take care to ensure that the TWIN PULSE GENERATOR module's pulse width is not set wider than the repetition time of the PWM pulses.

INTEGRATE & DUMP block function waveforms

The waveforms below illustrate the operation and timing of the sampling and integrating block's functions.



BASIC SPECIFICATIONS

DIGITAL DELAY

Input & Output TTL level, digital signals

Clock input <15kHz

Variable delay range 10 μ s to 1.5ms, in 4 switch selectable ranges

INTEGRATE & DUMP

Operating modes integrate & dump; integrate & hold; sample & hold; PWM.

Channels 2 channels, simultaneously operating with a common bit clock, with the exception of PWM mode, which is only available on channel 1, I&D1.

Analog inputs and outputs standard TIMS level

Clock input <500Hz to >15kHz, standard TTL level

Integrator integration commences on the negative edge of the READY signal. When hold is selected, the integrator output is sampled on the positive edge of the clock signal. Dumping commences on the positive edge of the READY pulse. The output of the integrator is inverting.

Sampler the sampling of the input signal commences on the positive edge of the clock signal and is completed on the positive edge of the READY pulse.

Ready TTL level pulse, <10 μ s width. Occurs after the hold circuit's output has settled.

TRELLIS CODED MODULATION DECODER

TRELLIS CODE MODULATION DECODER SECTION GUIDE

USER INFORMATION	71
BASIC SPECIFICATIONS	74
SETTING-UP DSP MODULES	75
*QUICK OPERATING GUIDE	76

A continuous sequence of data bits is generated from a continuous sequence of encoded, multilevel data bits. The input encoded data bits must be obtained from a matched filter, or equivalent functional block.

The TCM DECODER is implemented in two sections:

- (i) A matched filter, implemented with a multiply-integrate-and-dump functional block, and
- (ii) A soft-decision Viterbi decoder, implemented with the TIMS Digital Signal Processing modules.

For completeness, the implementation and setting up of the TIMS 4-AM TCM modulator is also briefly described.

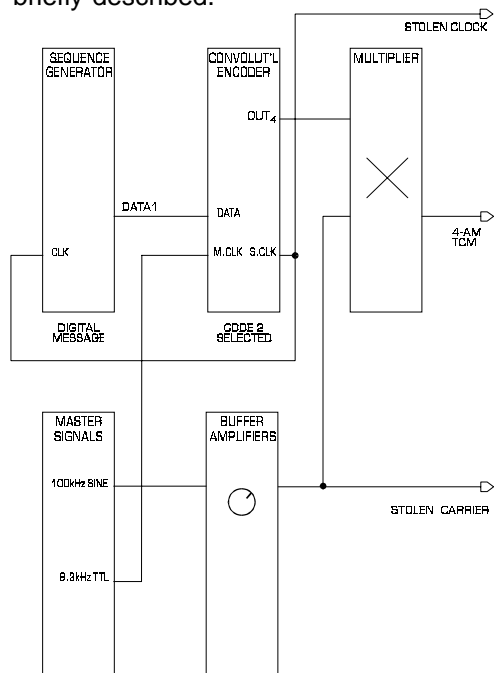


Figure 1: TCM ENCODER/MODULATOR BLOCK DIAGRAM

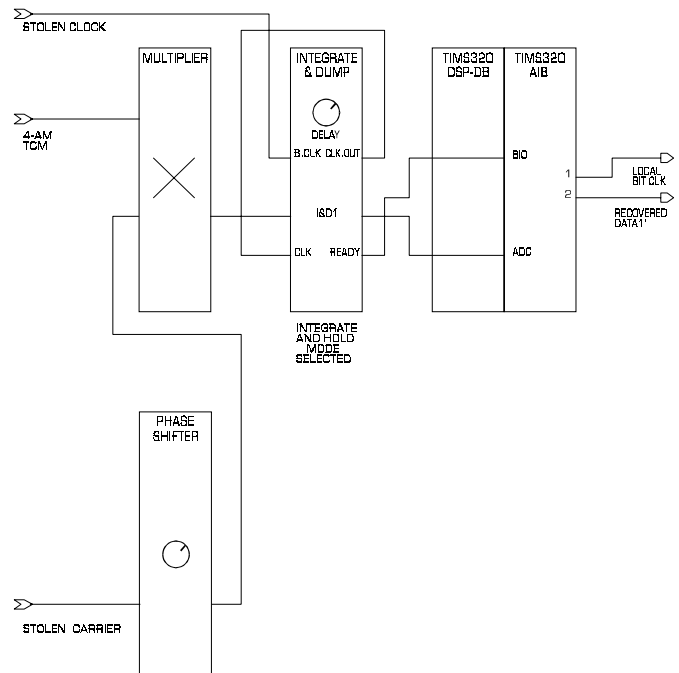


Figure 2: TCM DECODER BLOCK DIAGRAM

TIMS-AIB FRONT PANEL FACILITIES	TCM DECODER FUNCTIONS
3-position switch	Inverts TCM symbol set to compensate for channel inversion
BIO Input	Code clock
ADC Input	Multilevel, encoded sequence input
TTL Output 1	Decoded data clock
TTL Output 2	Decoded data

FRONT PANEL INPUT/OUTPUT ASSIGNMENTS

USE - 4-AM TCM MODULATOR

MODULES REQUIRED

CONVOLUTIONAL CODE ENCODER module with **CODE 2** selected;
MULTIPLIER module; MASTER SIGNALS module; BUFFER AMPLIFIERS module;
SEQUENCE GENERATOR module or other digital data source, e.g. PCM ENCODER module.

SETTING-UP

Before commencing with the TCM set-up, the user must be familiar with the setting-up and operation of the CONVOLUTIONAL CODE ENCODER module. Please refer to the Advanced Modules User Manual chapter describing the CONVOLUTIONAL CODE ENCODER module.

The modules required for the TIMS 4-AM TCM modulator are patched together as illustrated in Figure 1 on the previous page.

Next the amplitude of the 4-AM TCM symbols must be adjusted. Using an oscilloscope, observe the output of the MULTIPLIER module and verify that the 4-AM TCM symbols have 4 voltage levels. Adjust the BUFFER AMPLIFIERS module's variable gain control such that the span of the whole symbol set is 3V peak-to-peak.

When correctly operating and adjusted, the 4-AM TCM modulator outputs only 4 data levels at approximately -1.5V, -0.5V, +0.5V and +1.5V, and at a symbol rate of 1kHz.

USE - 4-AM TCM DEMODULATOR

MODULES REQUIRED

(i) Matched filter implementation requires:

INTEGRATE & DUMP module, with *integrate & hold* mode selected on channel **I&D1**;
MULTIPLIER module; PHASE SHIFTER module.

(ii) Soft decision Viterbi decoder implementation requires:

The TIMS Digital Signal Processing module set - either the TIMS-320-DB development board and the TIMS-AIB analog interface board, or the TIMS-320-RB run board and the TIMS-AIB analog interface board.

SOFTWARE/FIRMWARE REQUIRED

The TIMS TCM VITERBI DECODER program is required, which is available in both EPROM and floppy disk format.

SIGNAL DESCRIPTIONS & SETTING-UP

Before commencing with the TCM demodulator set-up, the user must be familiar with the setting-up and operation of the INTEGRATE & DUMP module. Please refer to the User Manual chapter describing the INTEGRATE & DUMP module.

The modules required for the TIMS 4-AM TCM demodulator are patched together as illustrated in Figure 2 on the previous page.

(i) Matched filter implementation signals.

The TIMS implementation of the matched filter requires 3 input signals:

4-AM TCM encoded/modulated data, which would typically be the output of a noisy, 100kHz channel;

A stolen bit clock, whose phase is then aligned with the TCM data stream using the variable DELAY function of the INTEGRATE & DUMP module;

A stolen carrier, whose phase is then aligned with the incoming TCM carrier modulated signal using the PHASE SHIFTER module.

The bit clock alignment adjustment and local carrier phase alignment adjustment is done while observing the outputs of the INTEGRATE & DUMP module, to achieve a nominal 4-level encoded data stream using the following criteria:

- LOCAL CARRIER PHASE ADJUSTMENT

Adjust the local carrier's phase such that the amplitude of the multilevel data at the INTEGRATE & DUMP module's **I&D1** output is a nominal 3V peak-to-peak (recall that **integrate & hold** mode must be selected for channel **I&D1**);

- BIT CLOCK ALIGNMENT

Since each TCM symbol is a DC voltage, integrating over only one symbol within a bit clock cycle will result in a single ramp within that single bit clock cycle. Hence, integrating over two symbols within a bit clock cycle will result in the occurrence of two opposing ramps within some bit clock cycles.

Therefore the INTEGRATE & DUMP module's second channel, **I&D2**, may be used to assist in achieving correct alignment between the bit clock and the data stream.

Make an additional connection from the output of the MULTIPLIER module to the **I&D2** input. Select **integrate & dump** mode for **I&D2** at SW2.

Vary the INTEGRATE & DUMP module's **DELAY** control, while observing the **I&D2** output.

Adjust the **DELAY** for a single ramp within the bit clock cycle.

(ii) Soft decision Viterbi decoder implementation signals.

The TIMS implementation of the TCM Viterbi decoder requires 2 input signals:

An in-phase and aligned bit clock, provided by the INTEGRATE & DUMP module's **READY** signal. This is presented to the TIMS-AIB module's **BIO** input.

Multilevel, encoded data, provided by the INTEGRATE & DUMP module's **I&D1** output. This signal is presented to the TIMS-AIB module's **ADC** input. As this Viterbi decoder is performing its calculations based on soft decision coding, an analog rather than TTL input is required.

The TIMS TCM Viterbi decoder provides two output signals:

The decoded data, standard TTL level format, at the TIMS-AIB module's TTL Output 2.

An in-phase and aligned bit clock, standard TTL level format, at the TIMS-AIB module's TTL Output 1.

Channel phase inversion.

The TIMS TCM decoder also provides manual control over the decoder's internal reference symbol set, via the TIMS-AIB module's front panel 3 position switch. This is necessary if the TCM signal undergoes phase inversion while passing through the transmission channel.

Initially the TIMS-AIB module's front panel switch should be in the UPPER position. If a large error rate is detected after the setting-up procedure is completed, then this may be caused due to phase inversion in the transmission channel. Change the switch to the MIDDLE position to compensate for the channel's phase inversion.

The following table illustrates the internal changes within the Viterbi decoder.

TIMS-AIB module's SWITCH POSITION	Viterbi decoder's ref symbol set
upper	S0 = -1.5V, S1 = -0.5V, S2 = +0.5V, S3 = +1.5V
middle or lower	S0 = +1.5V, S1 = +0.5V, S2 = -0.5V, S3 = -1.5V

BASIC SPECIFICATIONS - Soft decision Viterbi decoder

Modules required TIMS-DSP-DB and TIMS-AIB, or, TIMS-DSP-RB and TIMS-AIB

Firmware/Software required EPROM pair or floppy disk with decoder program

Decoder technique implemented a soft decision Viterbi decoding algorithm with an Information Bit Path History Length of 16 (5 times the constraint length of the code used.)

Code clock input typ. 1kHz, TTL level, synchronised and in-phase with the encoded sequence

Code sequence input 4 level, convolutionally encoded sequence

Data output decoded, TTL level data sequence

Clock Output typ. 1kHz, TTL level, synchronised and in-phase with the data sequence

Input sequence inversion compensation manual, via front panel switch

SETTING-UP THE DSP MODULES

Please refer to the DSP User Manual for detailed setting-up and user information. The following is intended only as a quick reference guide.

Setting-up the TIMS-DSP-DB & TIMS-DSP-RB

EPROM Operation - both TIMS-DSP-DB & TIMS-DSP-RB

- (i) Plug the EPROMs into the TIMS-DSP module with the EPROM labeled **HI** located in U5 and the EPROM labeled **LO** located in U6.
- (ii) Ensure the MEMORY SELECT JUMPERS are set for EPROM/RAM mode: A1,A2,A3 & A4.
- (iii) Jumper J1 should be in position **L**.
- (iv) Plug the DSP module into the TIMS rack.

RAM Operation - TIMS-DSP-DB only

- (i) Ensure the MEMORY SELECT JUMPERS are set for RAM mode: B1,B2,B3 & B4.
- (ii) Ensure that EPROMs are not installed in IC positions U5 & U6.
- (iii) Plug the DSP module into the TIMS rack.
- (iv) Connect the DSP module's SERIAL LINK to your computer's serial port reserved for communications with the DSP module and down load the decoder program required.

Setting-up the TIMS-AIB

- (i) Remove the jumper at J1. **NOTE: jumper J1 must NOT be connected**, as BIO mode is required.
- (ii) Plug the AIB module into the TIMS rack, immediately to the right of the DSP module.

The TIMS-DSP and TIMS-AIB modules are now ready for operation.

QUICK OPERATION GUIDE

A - Setting-up the TCM Encoder/Modulator

1. The modules required for the TIMS 4-AM TCM modulator are patched together as illustrated in Figure 1, on the first page of this chapter.

2. Select CODE 2 at the front panel of the CONVOLUTIONAL CODE ENCODER module.

3. The last step in setting-up the TCM modulator is to adjust the amplitude of the 4-AM TCM symbols.

3.1 Using an oscilloscope, observe the output of the MULTIPLIER module and verify that the 4-AM TCM symbols have 4 voltage levels.

3.2 Adjust the BUFFER AMPLIFIERS module's variable gain control such that the span of the whole symbol set is 3V peak-to-peak.

4. This completes the setting-up of the TCM modulator.

B - Setting-up the TCM Demodulator/Decoder

1. The modules required for the TIMS 4-AM TCM demodulator are patched together as illustrated in Figure 2, on the first page of this chapter.

2. The DSP and INTEGRATE & DUMP modules require setting-up and mode selection as follows.

2.1 Set-up the DSP and AIB modules as described on the previous page.

2.2 Set-up the INTEGRATE & DUMP module's operating modes as follows. Select **I&H1**, *integrate and hold* mode, at the rotary PCB mount switch, SW1, and select **I&D2**, *integrate and dump* mode, at rotary switch SW2. Select the Adjust the DELAY control range to 60 μ s - 500 μ s via SW3: SW3-1 (B) set ON and SW3-2 (A) set OFF.

3. For initial familiarization purposes, make direct connections between the TCM modulator and demodulator. Later a noisy channel may be simulated using other TIMS modules.

3.1 Pass a "stolen" clock from the CONVOLUTIONAL ENCODER module's **S.CLK** output to the INTEGRATE & DUMP module's digital delay **B.CLK** input.

3.2 Pass a "stolen" carrier from the modulator's BUFFER AMPLIFIER module output to the demodulator's PHASE SHIFTER input. Ensure the PHASE SHIFTER module's PCB mount sliding range selection switch is set to the **HI** range.

3.3 Patch the modulator's output directly to the demodulator's input.

4. Local carrier phase adjustment. The local carrier's phase requires adjustment for maximum amplitude of the received multilevel data,

4.1 Vary the PHASE SHIFTER module's **COARSE** and **FINE** control knobs while observing the INTEGRATE & DUMP module's output, at **I&D1** (Recall that *integrate and hold* mode must be selected for channel **I&D1**). Adjust for a nominal 3V peak-to-peak amplitude of the multilevel data.

5. Bit clock alignment. Since each TCM symbol is a DC voltage, integrating over only one symbol within a bit clock cycle will result in a single ramp within that single bit clock cycle: this represents correct alignment between the bit clock and the (multilevel, encoded) data stream. Integrating over two symbols within a bit clock cycle will result in the occurrence of two opposing ramps within some bit clock cycles: this would signify incorrect alignment.

Hence the INTEGRATE & DUMP module's second channel, **I&D2**, may be used to achieve correct alignment between the bit clock and the data stream.

5.1 Make an additional connection from the output of the MULTIPLIER to the **I&D2** input.

5.2 Vary the INTEGRATE & DUMP module's **DELAY** control, while observing the **I&D2** output.

5.3 Adjust the INTEGRATE & DUMP module's **DELAY** control knob for a single ramp within the bit clock cycle.

6. This completes the setting-up of the TCM demodulator.

C - Channel Simulation & Bit Error Rate Measurement Options

1. Different transmission channels may be simulated using the 100kHz CHANNEL FILTERS module.

2. Noise may be added to the channel using the ADDER and NOISE GENERATOR modules.

3. Bit Error Rate and Signal-to-Noise measurements can be made on the noisy channel, in the same manner as with other TMS digital modulation experiments, using the ERROR COUNTING UTILITIES, TRMS VOLT METER and associated modules.

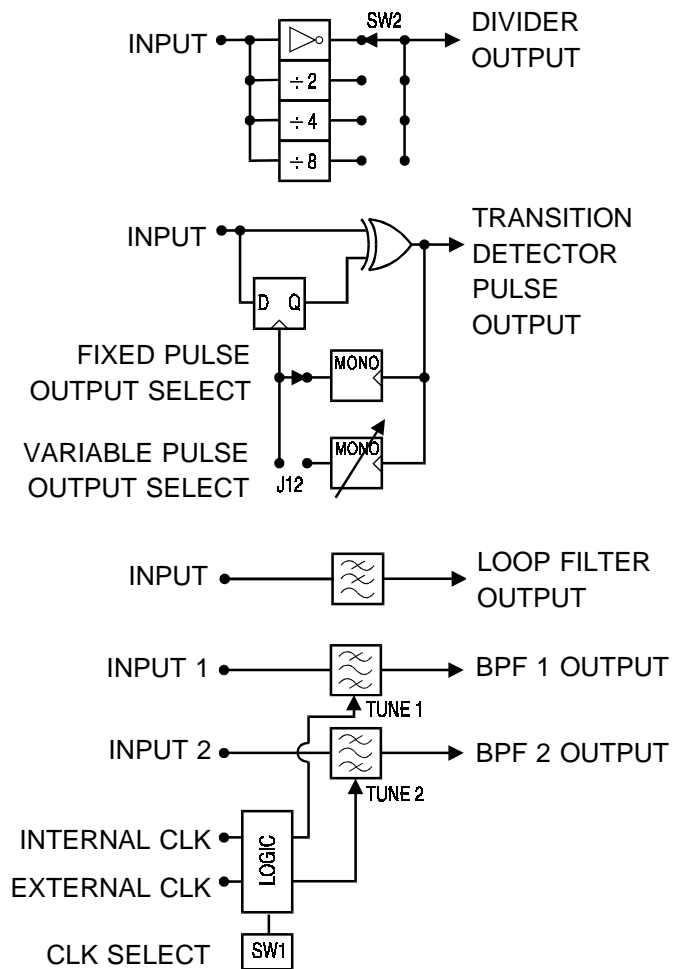
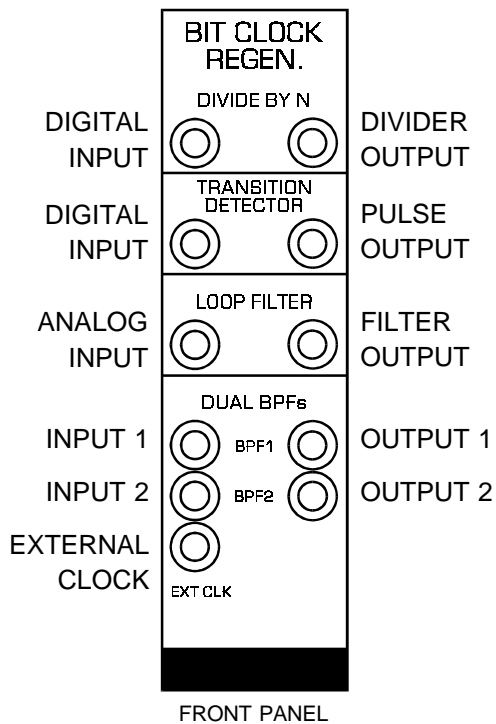
BIT CLOCK REGENERATION

Four independent functional blocks are provided, which may be used independently or in combination with other TIMS modules, to recover the bit clock of any TIMS generated Line-Code.

Schemes which may be constructed and demonstrated using the building block functions of the BIT CLOCK REGENERATION module along with other TIMS modules include:

- Bandpass Filter jitter reduction techniques,
- Bandpass Filter bit-sync derivation and
- Phase Lock Loop bit-sync derivation,

using filter/square-law, transition detector based and various other clock recovery structures.



USE

DIVIDE BY N

The DIVIDE BY N is a general purpose digital divider. It accepts a standard TTL level signal at the input and outputs a standard TTL level signal. The PCB mounted DIP switch, **SW2**, is used to select the division factor, as illustrated in the table below.

SW2-1 (A)	SW2-2 (B)	DIV. MODE
OFF	OFF	divide by 8
OFF	ON	divide by 4
ON	OFF	divide by 2
ON	ON	divide by -1 (invert)

A typical application for the DIVIDE BY N may be as part of a Phase Lock Loop, PLL, system.

TRANSITION DETECTOR

The TRANSITION DETECTOR will produce a TTL level output pulse for every transition in logic level of the input digital sequence. The input sequence must be TTL level.

Operation of the TRANSITION DETECTOR is such that the input sequence is delayed using a clocked flip-flop. The exclusive-OR circuit then performs the equivalent of a multiplication operation. The width of the output pulse is dependent upon the width of the monostable's pulse.

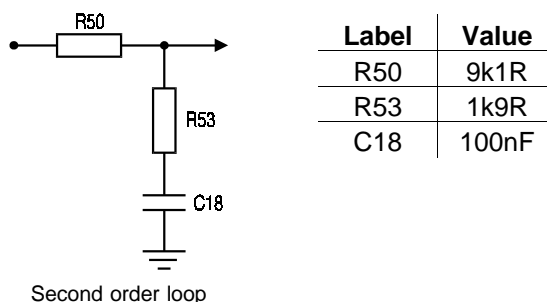
The PCB mounted jumper, **J12**, allows the user to select either a fixed pulse width, **FIX**, or a manually adjustable pulse width, **VAR**. The fixed pulse width monostable optimizes the TRANSITION DETECTOR's operation for use with the LINE-CODE ENCODER module's standard 2.083kHz bit clock.

An adjustable pulse width monostable is also available to allow the user to determine the effect of different pulse widths on the operation of the TRANSITION DETECTOR under various conditions. The pulse width is varied using the PCB mounted trimmer labeled **VARY PULSE WIDTH**, RV1. Adjusting the trimmer varies the output pulse width from approximately 10µs to 500µs.

In a bit synchronisation system, the output of the TRANSITION DETECTOR would normally pass to a bandpass filter or phase lock loop.

LOOP FILTER

The LOOP FILTER is intended for use in Phase Lock Loop, PLL, applications such as demonstrating PLL bit-sync derivation. It is a conventional, passive, Type 1, second-order* loop structure, as illustrated below. The factory selected component values are also given.



Please note that the loop filter's input and output have active buffering using op-amp circuits: this is not illustrated in the above figure.

*Also note that PLLs are classified according to Type, based on the number of poles of the loop transfer function at the origin. The order of the loop refers to the highest degree of the polynomial of the characteristic equation, $1 + G(s)H(s)$. Ref: *Digital Communications with Fibre Optics and Satellite Applications*, Harold B. Killen, Prentice-Hall Inc.

DUAL BPFs

Two independent, tuneable, high-Q bandpass filters are provided, to demonstrate both bandpass filter jitter reduction and bandpass filter bit-sync derivation.

Each filter accepts and outputs standard TIMS level signals.

Both filters have the same fixed Q of 22.

The centre frequency of each filter is controlled by a digital clock signal. The frequency of the digital clock signal is 50 times the centre frequency of the BPF. The source of the digital clock signal may be either the internal (on-board) crystal oscillator or an external oscillator.

The PCB mounted DIP switch, **SW1**, is used to select each filter's clock source.

The internal crystal derived clock, **INT.CLK**, is optimized for use with the LINE-CODE ENCODER module's standard 2.083kHz bit clock.

The external clock, **EXT.CLK**, may be used to tune the centre frequency of either or both of the filters between 1kHz and 5kHz. The external TTL level clock source is applied via the front panel **EXT CLK** input.

The table below lists all possible combinations of clock source for both filters.

SW1-1	SW1-2	BPF 1 SOURCE	BPF 2 SOURCE
OFF	OFF	External	External
OFF	ON	External	Internal
ON	OFF	Internal	External
ON	ON	Internal	Internal

Please note that when BPF 1 and BPF 2 both have External Source selected, both filters receive the same clock signal via the front panel **EXT CLK** input.

BASIC SPECIFICATIONS

DIVIDE BY N

Input & Output TTL level, digital signals

Clock input <1MHz

Divisors -1, 2, 4 and 8, switch selectable

TRANSITION DETECTOR

Input & Output TTL level, digital signals

Output Pulse Width

with **FIX** selected at **J12**: approx. 250µs

with **VAR** selected at **J12**: adjustable from approx. 10µs to approx. 500µs

LOOP FILTER

Input & Output standard TMS level, analog signals

Type conventional, passive, Type 1, second-order* loop structure

* refer to the previous page for definitions

Characteristics required to be determined by the student. See previous page for details.

Buffering active

DUAL BANDPASS FILTERS

Input & Output standard TMS level, analog signals

Number two identical bandpass filters

Type fourth order Chebyshev with 3dB passband ripple

Q approx. 22, fixed

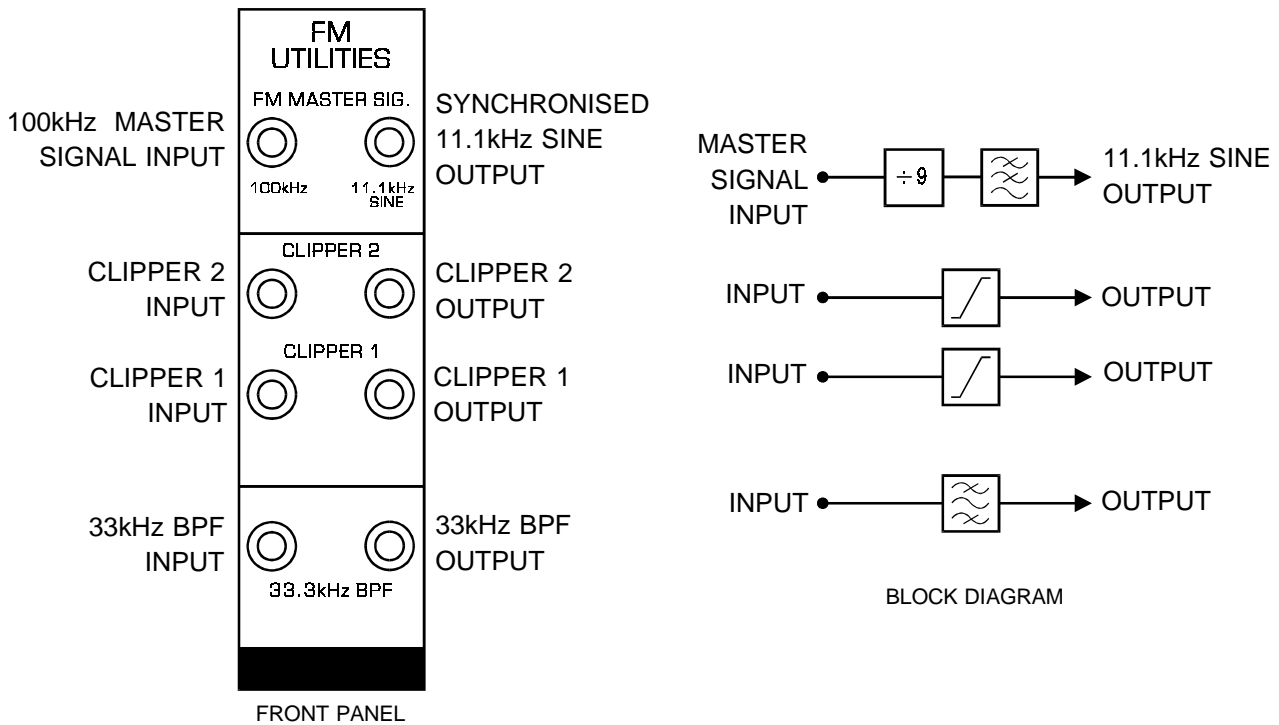
Ratio of Tuning Clock to Filter's Centre Frequency 50

Internal Clock Frequency 104kHz, crystal derived, giving 2.083kHz filter centre frequency

External Clock Frequency Range 50kHz to 250kHz, TTL level

FM UTILITIES

Three independent functional blocks are provided which are used in combination with other TIMS modules to make an 100kHz wideband FM modulator, implementing the frequency multiplier method.



USE

The FM UTILITIES module enables wideband FM signals to be generated based on an Armstrong modulator and two harmonic (also known as frequency) multipliers. The Armstrong modulator is patched together using four other TIMS modules and provides a wideband phase modulated signal whose deviation is then increased by the harmonic multipliers.

Each harmonic multiplier is made up of a clipper (also known as a limiter) and a bandpass filter. The clipper generates a series of harmonics and the bandpass filter passes only the third harmonic. The FM UTILITIES module provides the first harmonic multiplier's 33.3kHz bandpass filter. The second harmonic multiplier uses the 100kHz CHANNEL FILTERS module 100kHz bandpass filter.

FM MASTER SIGNALS

The FM MASTER SIGNALS block provides a synchronised 11.1kHz sinewave carrier signal required for the Armstrong modulator.

The **100kHz** input will accept a standard TIMS level signal, either analog or digital level, from the TIMS MASTER SIGNALS module's **100kHz CARRIER** output.

The FM MASTER SIGNALS **11.1kHz SINE** output is a standard analog TIMS level signal, exactly one ninth the frequency of the input signal.

CLIPPER (or LIMITER) 1 & 2

Two independent CLIPPERS are provided which will amplify any analog TIMS level signal and then clip or limit the amplitude of the amplified signal to a preset level. Each clipper's output level can be preset by a PCB mounted continuously variable gain control, **GAIN 1** and **GAIN 2**.

33.3kHz BPF

The 33.3kHz bandpass filter is a 6th order filter with a 6kHz passband. The BPF accepts and outputs standard TIMS level signals.

BASIC SPECIFICATIONS

FM MASTER SIGNALS

Input 100kHz, standard TIMS level analog or TTL level digital signal

Output 11.1kHz sinusoidal, standard TIMS level analog signal

Input/Output Frequency Ratio 9:1

CLIPPER 1 & 2

Number two totally independent clipper circuits

Input bipolar analog signal

Output bipolar analog signal, amplitude set by GAIN control

GAIN Control sets CLIPPER output from about 1Vpk-pk to a maximum of 7Vpk-pk

Frequency Range >100kHz

33.3kHz BPF

Input & Output standard TIMS level, analog signals

Type sixth order inverse-Chebyshev with 1dB passband ripple

Centre Frequency 33.3kHz

Passband approx. 6kHz

Stopband Attenuation 55dB

M-LEVEL ENCODER

(m-QAM & m-PSK CONSTELLATION GENERATOR)

MULTI-LEVEL ENCODER SECTION GUIDE

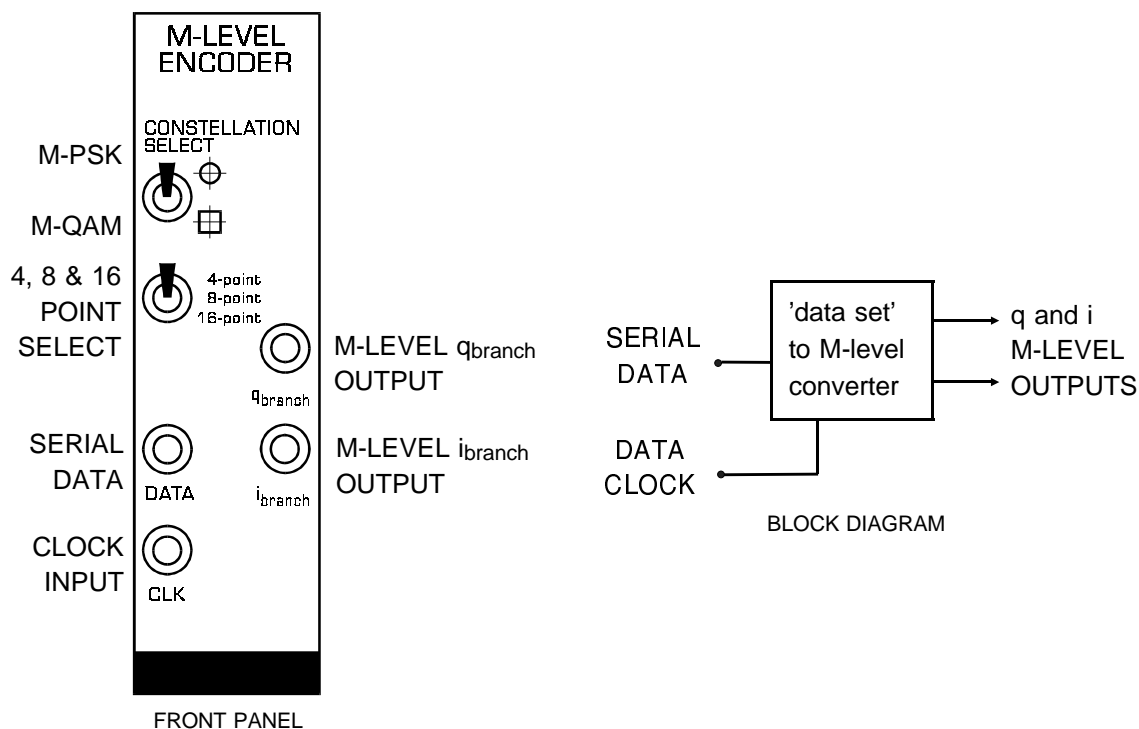
USER INFORMATION	83
BASIC SPECIFICATIONS	85
TECHNICAL DETAILS	85
*QUICK OPERATING GUIDE	86

A continuous sequence of TTL-level data bits is grouped into sets of 'L' bits, (where L = 2, 3 or 4). Each set of 'L' bits is encoded to form a pair of M-level baseband signals, **q** & **i**.

This **q** & **i** signal pair can be represented as 2^L unique points (or symbols) in a signal-state-space diagram, or constellation.

Six different encoding formats are available, selected via front panel switches, for generating 4-QAM, 8-QAM, 16-QAM, 4-PSK, 8-PSK & 16-PSK signals.

A 'demonstration' mode for viewing constellation displays is also provided.



USE

OPERATING MODES

Two operating modes are provided, **NORMAL** and **DEMO**. The PCB mounted jumper, **J3** is used to set the operating mode.

NORMAL mode provides full functional operation of the module. Both **DATA** and **CLK** input signals are required for normal operation.

DEMO mode has limited functional application. It is used only for self test and illustration purposes, to allow the quick setting-up of a constellation display on an oscilloscope. Only a clock signal at the **CLK** input is required: the **DATA** input is unused.

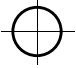
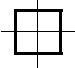
INPUT SIGNALS

Two TTL level input signals are required for normal operation: **DATA** and **CLK**. The **DATA** input signal must be synchronised and in-phase with the **CLK** signal.

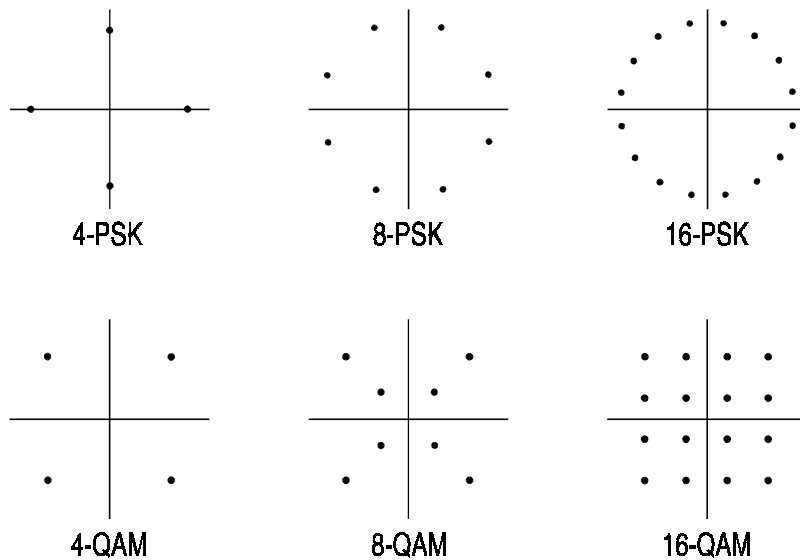
CONSTELLATION SELECT

Two front panel **CONSTELLATION SELECT** switches are used to choose the encoding format required. The upper, 2 position switch selects between either a circular (phase) or square (amplitude) array. The lower, 3 position switch selects the number of points in the constellation: 4, 8 or 16.

The following table lists switch settings required for generating the six available constellations.

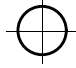
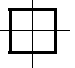
Front Panel Switches		Constellation Selected
Upper	Lower	
	4-point	4-PSK
	8-point	8-PSK
	16-point	16-PSK
	4-point	4-QAM
	8-point	8-QAM
	16-point	16-QAM

The Space Diagrams for the above constellations are shown below,



OUTPUT SIGNALS

Two multi-level analog signals are output, labeled **q_{branch}** and **i_{branch}**. The number of discrete M-levels and the voltage difference between each level is determined by the front panel **CONSTELLATION SELECT** switch settings. See the table below,

Front Panel Switches		Number of M-levels at i & q
Upper	Lower	
	4-point	3
	8-point	4
	16-point	8
	4-point	2
	8-point	4
	16-point	4

For each of the six available settings, the peak-to-peak amplitude of the **i_{branch}** and **q_{branch}** signals will always be $\pm 2.5V$.

BASIC SPECIFICATIONS

DATA Input serial, TTL-level

CLK Input up to 10kHz, TTL-level

OPERATING MODES PCB jumper selectable

NORM converts sets of input DATA into pairs of multi-level signals

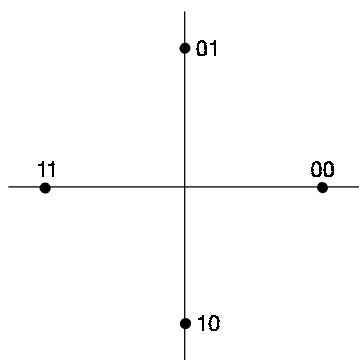
DEMO for testing and displaying constellations only

CONSTELLATION SELECT front panel switch selectable, offering either circular or rectangular, 4, 8 and 16 point constellations

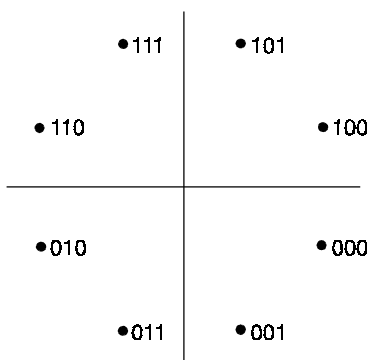
i_{branch} & q_{branch} Outputs 2, 3, 4 or 8 level, depending upon constellation selected, $\pm 2.5V_{pk-pk}$

TECHNICAL DETAILS

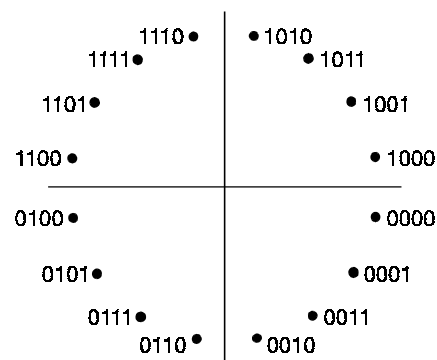
The signal-state-space diagrams for the six available constellations follow. Note that the data bits representing each symbol are arranged in a Grey Code sequence.



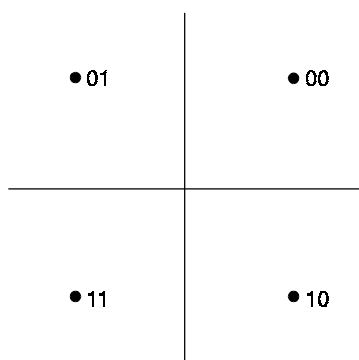
4-PSK



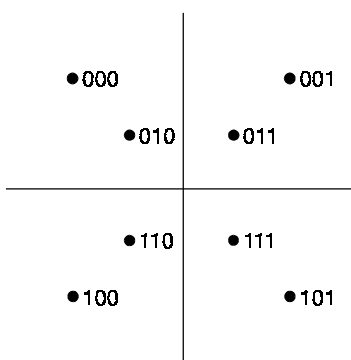
8-PSK



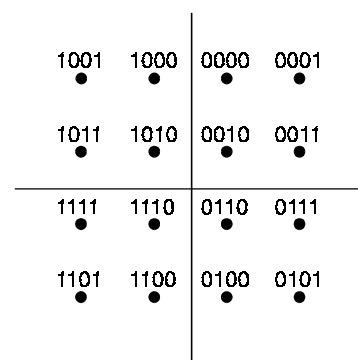
16-PSK



4-QAM



8-QAM



16-QAM

When viewing the above constellations on an oscilloscope, it is important to note that the **horizontal axis** in the above diagrams is **i** and the **vertical axis** is **q**.

HINT: To assist in determining the correct orientation of the viewed constellation, presenting a logical high to the **DATA** input of the M-LEVEL ENCODER module (e.g. press the RESET push button on the SEQUENCE GENERATOR module), will only display the 11, 111 or 1111 symbol, depending upon the constellation selected.

QUICK OPERATION GUIDE

A - DEMO Mode

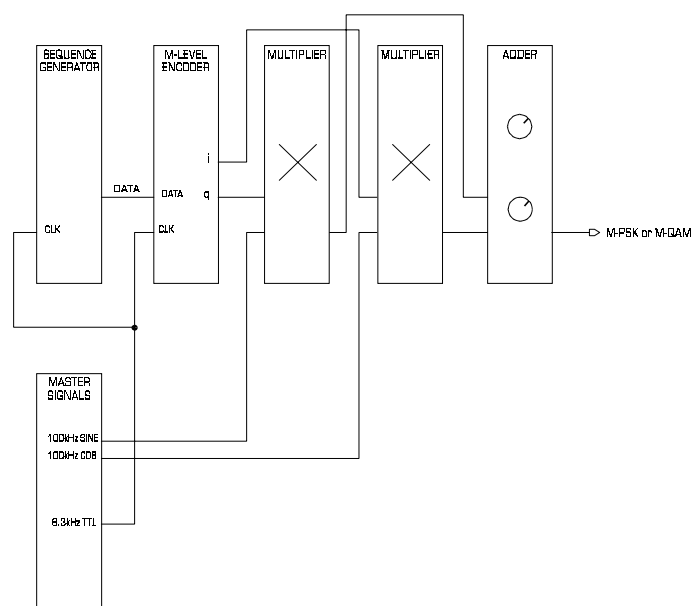
1. Set PCB mounted jumper, **J3**, to **DEMO** position.
2. Connect a TTL clock to the **CLK** input. For example use the 8.3kHz from the MASTER SIGNALS module.
3. Select the constellation required via the front panel switches.
4. View the **qbranch** and **ibranch** output signals on an oscilloscope, in XY mode.

B - NORMAl Mode with SEQUENCE GENERATOR module

1. Set PCB mounted jumper, **J3**, to **NORM** position.
2. Plug the SEQUENCE GENERATOR and M-LEVEL ENCODER modules into the TIMS rack.
3. Connect a TTL clock to both modules' **CLK** input. For example use the 8.3kHz from the MASTER SIGNALS module.
4. Patch the SEQUENCE GENERATOR module's TTL level **X** output to the M-LEVEL ENCODER module's **DATA** input.
5. Select the constellation required via the front panel switches.
6. View the **qbranch** and **ibranch** output signals on an oscilloscope, in XY mode.

C - M-QAM & M-PSK Generation

1. Follow steps 1 to 6, as described in section B above, and then patch together two MULTIPLIER and an ADDER module as illustrated below.



m-QAM & m-PSK Generator Block Diagram

M-LEVEL DECODER

(BPSK, m-QAM & m-PSK CONSTELLATION DECODER)

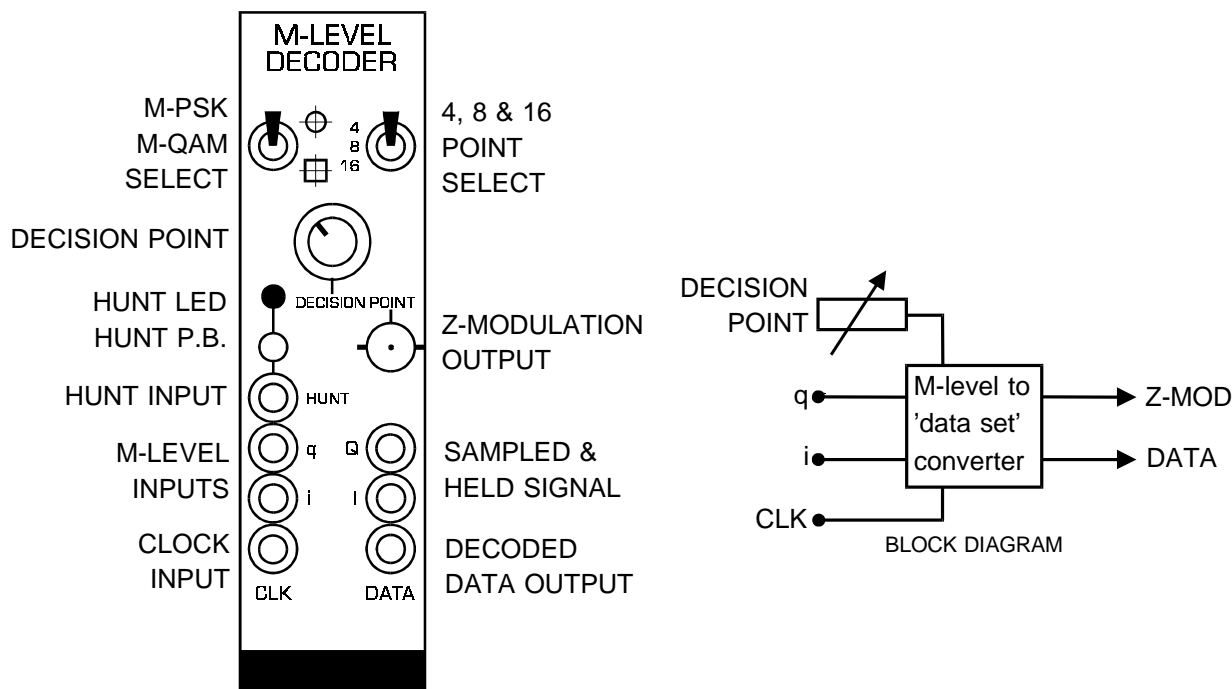
MULTI-LEVEL DECODER SECTION GUIDE

USER INFORMATION - Standard Mode	87
USER INFORMATION - BPSK Mode	91
BASIC SPECIFICATIONS	93
TECHNICAL DETAILS	94
*QUICK OPERATING GUIDE	95

A pair of baseband, multi-level encoded signals, **q** & **i**, originally generated by the M-LEVEL ENCODER module are sampled, decoded into unique groups of bits length 'L' and output as a continuous serial data stream. The output data is synchronised and in-phase with the bit clock.

The input signals, **q** & **i**, are sampled at a point determined by the user. Using an oscilloscope, the decision point is displayed as a bright marker on the input waveforms. The sampled and held **q** & **i** signals are also output **Q** & **I**.

Seven different decoding formats are available. The six *standard operating mode* formats, 4-QAM, 8-QAM, 16-QAM, 4-PSK, 8-PSK & 16-PSK are selected via front panel switches. The seventh decoding format, BPSK, is enabled via a *special operating mode* of the M-LEVEL DECODER module.



FRONT PANEL - STANDARD OPERATING MODE

USE

OPERATING MODES

Two operating modes are provided, *STANDARD* and *SPECIAL*. The *SPECIAL* operating mode is only used for decoding BPSK signals: the *STANDARD* operating mode is used for all other decoding formats.

STANDARD OPERATING MODE

STANDARD operating mode is automatically enabled by holding the M-LEVEL DECODER module's front panel handle and plugging the module directly into the TIMS rack.

SPECIAL OPERATING MODE - BPSK MODE

To switch the M-LEVEL DECODER module to the *SPECIAL* operating mode for decoding BPSK signals only, then,

- (i) remove the M-LEVEL DECODER module from the TIMS rack,
- (ii) press the HUNT push button, and while keeping the **HUNT** push button depressed, plug the module into the TIMS rack.
- (iii) Confirm that the **HUNT** LED immediately starts and continues flashing slowly (approximately one flash per second).

The slow, regular flashing of the **HUNT** LED indicates that the M-LEVEL DECODER module is operating in the *SPECIAL* mode.

INPUT SIGNALS - STANDARD MODE

Three input signals are required for standard operation: multi-level encoded signals **q**, **i** and the data bit clock, **CLK**.

INPUTS **q** & **i**

The peak-to-peak amplitude of the **q** & **i** signals must be approximately $\pm 2.5V$ for optimum decoding performance. Hence, when setting-up experiments always ensure that the amplitudes of the signals being presented to the **q** & **i** inputs are correctly adjusted using the gain or amplitude controls of the preceding modules.

CLOCK INPUT

The clock input, **CLK**, accepts a TTL-level signal. It must be synchronised with the incoming **q** & **i** M-level signals, though its frequency must be the bit clock rate of the output data. This data bit clock may be regenerated locally, or for maintaining simplicity of the experiment, may be 'stolen' from the M-LEVEL ENCODER module's clock input source.

For example, if the M-LEVEL ENCODER module is being clocked by the 8.3kHz TTL-level signal at the MASTER SIGNALS module, then the M-LEVEL DECODER module may also be clocked by this 8.3kHz signal.

CLOCK INPUT RANGE SETTING

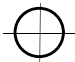
In order to optimize performance of the user variable decision point, a PCB mounted **RANGE** jumper must be set to correctly match the input clock frequency.

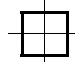
Set the **RANGE** jumper to **LO** for clock frequencies up to 4kHz. For clock frequencies above 4kHz, set the **RANGE** jumper to **HI**.

CONSTELLATION SELECT - STANDARD MODE

Two front panel **CONSTELLATION SELECT** switches are used to match the encoding format selected at the M-LEVEL ENCODER module. On the left side, a 2 position switch selects between either a circular (phase) or square (amplitude) array. On the right side, 3 position switch selects the number of points in the constellation: 4, 8 or 16.

The table below lists switch settings required for decoding the six *STANDARD* constellations.

Front Panel Switches		Constellation Selected
Left	Right	
	4-point	4-PSK
	8-point	8-PSK
	16-point	16-PSK

Front Panel Switches		Constellation Selected
Left	Right	
	4-point	4-QAM
	8-point	8-QAM
	16-point	16-QAM

DATA OUTPUT

A TTL-level data stream of decoded data is output continuously at the **DATA** output. The data stream is in-phase and synchronised with the bit clock signal at the **CLK** input.

OUTPUTS Q & I & OFFSET ADJUSTMENT

The signals at the **Q** & **I** outputs are the actual sampled and held representations of the **q** & **i** input signals presented to the internal decoder's analog-to-digital converter.

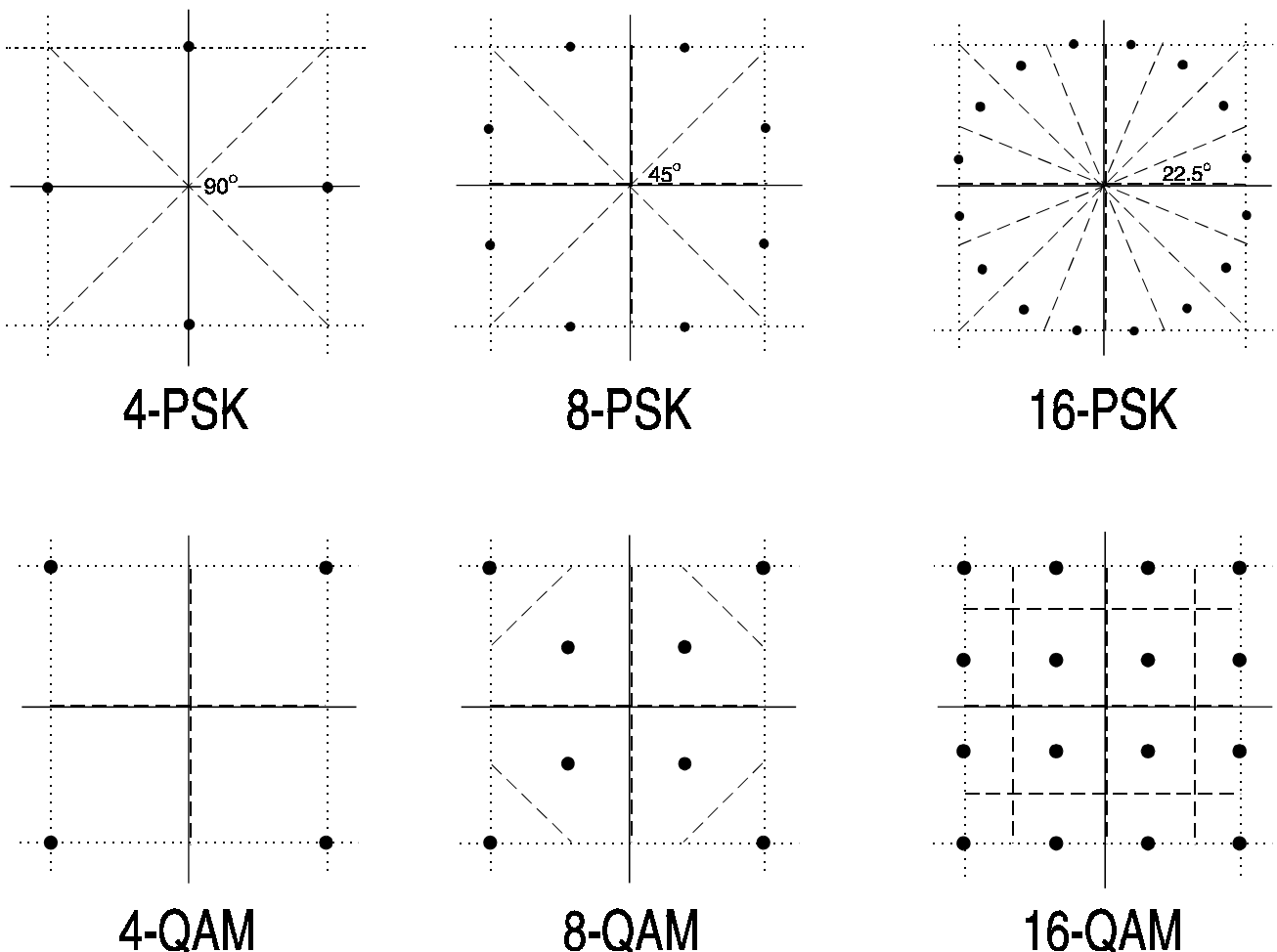
Any accumulated DC-offset in either the **q** or **i** branch may be viewed at the **Q** & **I** outputs, and nulled by adjusting the respective PCB mounted trimmer, **RV2** or **RV1**.

Calibration of the PCB mounted trimmers, **RV1** and **RV2** is given in the TECHNICAL DETAILS section, later in this chapter. Note that the **Q** & **I** signals are offset by approximately +2.5V with respect to the **q** & **i** input signals.

DECISION POINT CONTROL - STANDARD MODE

The decision point is the point at which the incoming signals **q** & **i** are sampled within each **q** & **i** signal's symbol. At the sampling instant, the internal decoder makes a decision as to the state, or level, of the sample. Both inputs, **q** & **i**, are sampled simultaneously.

The thresholds, or decision boundaries, which the internal decoder follows vary, depending upon the constellation selected. The six preset decision boundaries are illustrated below. The decision boundaries for each constellation are fixed and cannot be altered by the user.



Decision boundaries for the 6 STANDARD mode constellations

KEY: dotted lines represent the $\pm 2.5V$ optimum decoding amplitude limits
 ----- dashed lines represent the decision boundaries

The user has control over the sampling instant via the front panel **DECISION POINT** control knob and the **HUNT** push button (and **HUNT** input). The sampling instant is displayed on an oscilloscope as a bright marker, via the Z-MODULATION output, when the **q** & **i** input signals are viewed.

The sampling instant is moved across each **q** & **i** symbol using both the **DECISION POINT** control knob and the **HUNT** push button.

The **DECISION POINT** control knob provides access to a limited region of fixed width across the symbol. Typically this 'fixed width' is in the order of the width of the data bit clock.

The **HUNT** push button (and **HUNT** input) will allow the user to step the sampling instant to the next adjacent region within the symbol.

Thus with the **HUNT** push button's facility for stepping to each region across the symbol, the user is able to gain access to all regions of the symbol with the **DECISION POINT** knob.

HUNT INPUT

A positive going TTL-level signal presented to the **HUNT** input performs the same function as pressing the **HUNT** push button. This is intended as a facility for an adaptive or automatically synchronising system.

HUNT LED

In *STANDARD* operating mode, the **HUNT** LED is used to confirm that a hunt has been initiated by the pressing of the **HUNT** push button or the presentation of a valid signal at the **HUNT** input. The **HUNT** LED is normally off until a hunt is initiated. When the LED is on, both the **HUNT** push button and input are inhibited till the LED goes off.

The **HUNT** LED will also turn on to indicate that the signal at the **DATA** output is invalid, and a different region for sampling should be selected. Note, no decision is made by the decoder regarding the correctness or errors in the decoded data.

Z-MODULATION OUTPUT

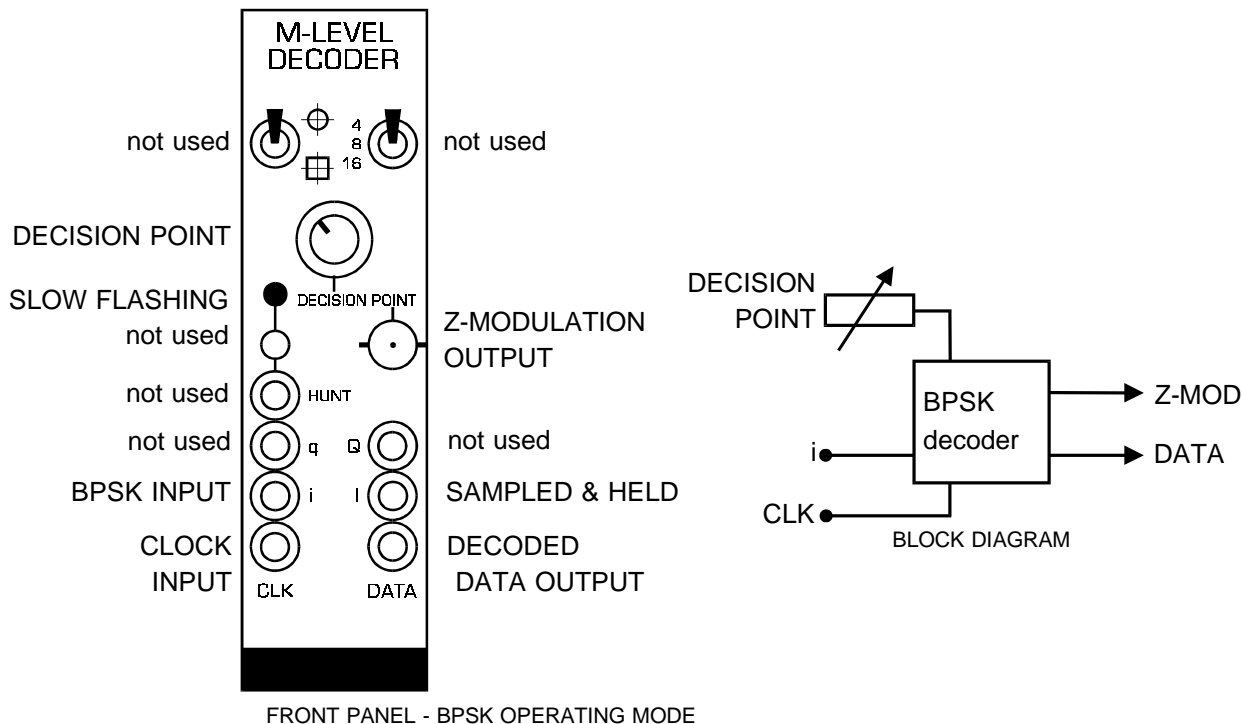
The Z-MODULATION output provides a pulse at the sampling instant. These pulses may be viewed on the oscilloscope's screen or may be connected to the oscilloscope's Z-modulation input. To display the sampling instant, connect the M-LEVEL DECODER module's Z-modulation signal at the front panel BNC connector to the oscilloscope's Z-modulation input. Refer to the TECHNICAL DETAILS section later in this chapter on setting-up the Z-modulation facility.

SPECIAL OPERATING MODE - BPSK MODE

A single baseband, bipolar signal is sampled, decoded and output as a continuous serial TTL-level data stream. The output data is synchronised and in-phase with the bit clock.

The input signal is sampled at a point determined by the user. Using an oscilloscope, the decision point is displayed as a bright marker on the input waveform. The sampled and held signal is also output.

The BPSK decoding format is enabled via a *special operating mode* of the M-LEVEL DECODER module.



USE

SPECIAL OPERATING MODE - BPSK MODE

To switch the M-LEVEL DECODER module to the *SPECIAL* operating mode for decoding BPSK signals only, then,

- remove the M-LEVEL DECODER module from the TIMS rack,
- press the HUNT push button, and while keeping the **HUNT** push button depressed, plug the module into the TIMS rack.
- Confirm that the **HUNT** LED immediately starts and continues flashing slowly (approximately one flash per second).

The slow, regular flashing of the **HUNT** LED indicates that the M-LEVEL DECODER module is operating in the *SPECIAL* mode.

INPUT SIGNALS - BPSK MODE

Two input signals are required for BPSK operation: a bipolar signal **i** and the data clock, **CLK**.

INPUTS q & i

The peak-to-peak amplitude of the **i** signal must be approximately $\pm 2.5V$ for optimum decoding performance. The **q** input is not used.

CLOCK INPUT

The clock input, **CLK**, accepts a TTL-level signal. It must be synchronised with the incoming **i** signal and its frequency must be the bit clock rate of the data.

CLOCK INPUT RANGE SETTING

In order to optimize performance of the user variable decision point, a PCB mounted **RANGE** jumper must be set to correctly match the input clock frequency. Set the **RANGE** jumper to **LO** for clock frequencies up to 4kHz. For clock frequencies above 4kHz, set the **RANGE** jumper to **HI**.

CONSTITUTION SELECT - BPSK MODE

Two front panel **CONSTITUTION SELECT** switches are not used in BPSK mode.

DATA OUTPUT

A TTL-level data stream of decoded data is output continuously at the **DATA** output. The data stream is in-phase and synchronised with the bit clock signal at the **CLK** input.

OUTPUTS Q & I & OFFSET ADJUSTMENT

The signal at the **I** output is the actual sampled and held representation of the **i** input signal presented to the internal decoder's analog-to-digital converter.

Any accumulated DC-offset in the **i** signal may be viewed at the **I** output, and nulled by adjusting the respective PCB mounted trimmer, **RV1**.

Calibration of the PCB mounted trimmer, **RV1** is given in the TECHNICAL DETAILS section, later in this chapter. Note that the **I** signal is offset by approximately +2.5V with respect to the **i** input signal.

DECISION POINT CONTROL - BPSK MODE

The decision point is the point at which the incoming signal **i** is sampled, at some point within the **i** signal's symbol. At the sampling instant, the internal decoder makes a decision as to the state, or level, of the sample.

The thresholds, or decision boundaries, which the internal decoder follows is simply the mid-point between both symbols.

The user has control over the sampling instant via the front panel **DECISION POINT** control knob. The sampling instant is displayed on an oscilloscope as a bright marker, via the Z-MODULATION output, when the **i** input signal is viewed.

The sampling instant is moved across each **i** symbol using the **DECISION POINT** control knob.

HUNT INPUT and PUSH BUTTON

The **HUNT** push button and input have no function in BPSK mode and are not used.

HUNT LED

The slow, regular flashing of the **HUNT** LED indicates that the M-LEVEL DECODER module is operating in *BPSK* mode.

Z-MODULATION OUTPUT

The Z-MODULATION output provides a pulse at the sampling instant. These pulses may be viewed on the oscilloscope's screen or may be connected to the oscilloscope's Z-modulation input. To display the sampling instant, connect the M-LEVEL DECODER module's Z-modulation signal at the front panel BNC connector to the oscilloscope's Z-modulation input. Refer to the TECHNICAL DETAILS section later in this chapter on setting-up the Z-modulation facility.

BASIC SPECIFICATIONS

i & q Inputs 2, 3, 4 or 8 level, depending upon constellation selected, $\pm 2.5V_{pk-pk}$

CLK Input up to 10kHz, TTL-level, synchronised with input symbols

DATA Output continuous stream of decoded data bits, TTL-level

I & Q Outputs sampled & held representation of the input signals, with offset.

OPERATING MODES selected by method of power-up

STANDARD for decoding six front panel selectable constellations

BPSK for decoding BPSK signals only

CONSTELLATION SELECT front panel switch selectable, offering either circular or rectangular, 4, 8 and 16 point constellations

Decision boundaries preset and fixed for each constellation; refer to diagrams in User Manual

DECISION POINT control continuous regions, with region selected by HUNT function

HUNT control steps DECISION POINT across adjacent regions of the symbol to be sampled

HUNT Input TTL-level positive going edge

HUNT LED has three functions

(i) Slow, regular flashing indicates BPSK operation mode;

(ii) Turns-on to confirm HUNT function has been enabled;

(iii) Indicates invalid data at DATA output;

i & q Input offset control PCB trimmer adjustable, $\pm 0.25V$,

Z-MODULATION Output three modes available, with variable level control

Z-MODULATION pulse width 2 μ S typical

TECHNICAL DETAILS

TRIMMING INPUT SIGNAL OFFSETS

The signals at the **Q** & **I** outputs are the actual sampled-and-held representations of the **q** & **i** input signals which are presented to the internal decoder's analog-to-digital converter. Any accumulated DC-offset in either the **q** or **i** branch may be viewed at the **Q** & **I** outputs, and nulled by adjusting the respective PCB mounted trimmer, RV2 or RV1.

Note that the **Q** & **I** signals are offset by $+(2.5V \pm \Delta V)$, where ΔV is $\pm 0.25V$ and can be varied at RV1 for input **I** and RV2 for input **Q**. Hence up to $\pm 0.25V$ of DC offset presented at either the **i** or **q** input may be nulled using RV1 or RV2.

CALIBRATING RV1 & RV2 FOR ZERO INPUT

The following procedure will calibrate the input signals' offset to the decoder's analog-to-digital converter for zero offset, with both inputs grounded. The procedure applies to both STANDARD and BPSK operating modes.

1. Plug the M-LEVEL DECODER module into the TIMS rack, running in STANDARD mode.
2. Switch to the 4-QAM constellation.
3. Patch both the **i** & **q** inputs to the TIMS GROUND connector (at the VARIABLE DC module).
4. Patch the 8.3kHz TTL signal at the MASTER SIGNALS module to the **CLK** input.
5. Whilst viewing the **DATA** output on an oscilloscope, slowly trim RV1 and RV2 until a stable TTL low (logical 0) data just appears at the **DATA** output.

This procedure trims the **i** & **q** input's ΔV offsets just inside the positive right hand quadrant of the 4-QAM space diagram.

Refer to the M-LEVEL ENCODER module's signal-state-space diagram to confirm that in 4-QAM, the data group (0,0) falls in the top right hand positive quadrant.

Hence as soon as stable (0,0) data appears at the decoder's **DATA** output, both of the **i** & **q** input signals have just fallen inside the positive right hand quadrant.

This 'reference' offset for each input can now be measured and used in nulling any accumulated DC voltage offsets at the **i** & **q** input terminals when viewing the **Q** & **I** outputs.

Z-MODULATION

Three Z-modulation modes are supported, with variable level control. Each mode is selected by positioning the **Z-MOD** jumper. Trimmer, RV3, controls the level of the output signal.

MODE A (position A)
normal intensity: 0V
bright intensity: +5V

MODE B (position B)
normal intensity: +5V
bright intensity: 0V

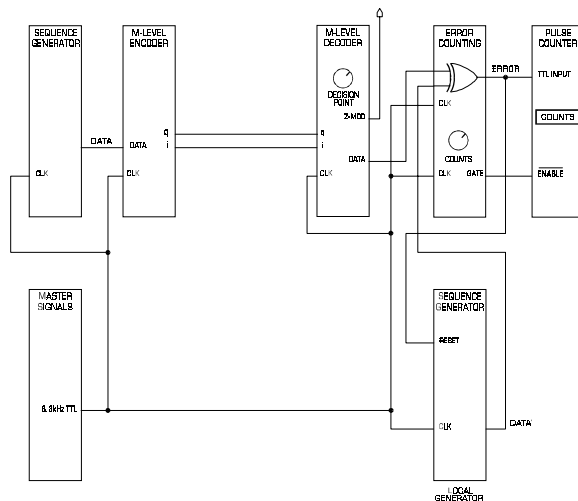
MODE C (position C)
normal intensity: 0V
bright intensity: -5V

In each case, trimmer RV3 will control the level of the "bright intensity".

QUICK OPERATION GUIDE

A - Familiarisation with the decoding process

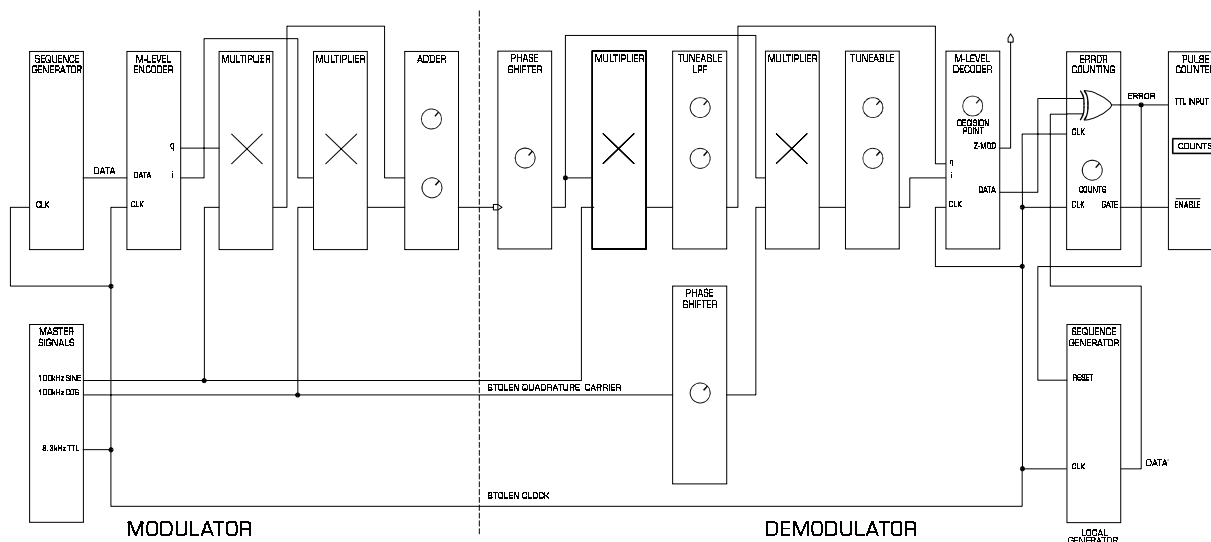
1. Patch together the following diagram, with the M-LEVEL DECODER module operating in STANDARD mode.
2. Select the shortest sequence length for both SEQUENCE GENERATOR module..
3. Trigger the oscilloscope on the SEQUENCE GENERATOR module's SYNC output.
4. Experiment with the DECISION POINT control knob and the HUNT facilities.



Basic Constellation Encoder & Decoder with error counting

B - Familiarisation with modulated and demodulated constellation

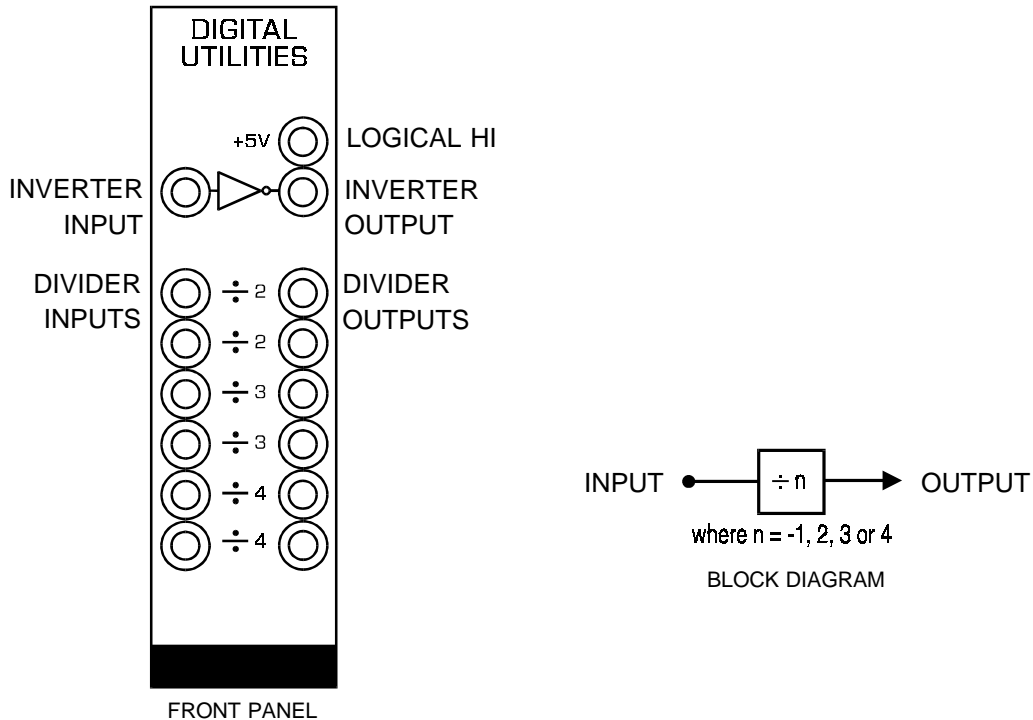
1. Patch together the following diagram, with the M-LEVEL DECODER module operating in STANDARD mode. Initially select 4-QAM.
2. Select the shortest sequence length for both SEQUENCE GENERATOR modules.
3. Trigger the oscilloscope on the modulator's SEQUENCE GENERATOR module's SYNC output.
4. Experiment with and observe the effect of the PHASE SHIFTER module.



m-QAM/m-PSK Modulator & Demodulator with error counting

DIGITAL UTILITIES

Provides six independent digital dividers, a digital inverter and a logical HI output.



USE

(i) DIGITAL INVERTER and LOGICAL HI

The digital INVERTER only accepts standard TTL-level digital signals. The LOGICAL HI outputs approximately +5V and is intended only for connection to digital inputs.

(ii) DIVIDERS

The six, independent digital dividers may be used in any combination to achieve the division ratio required.

BASIC SPECIFICATIONS

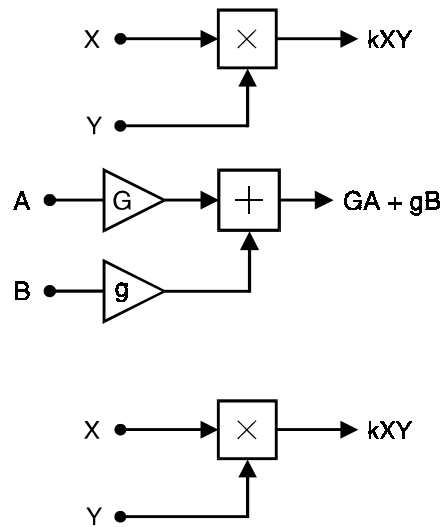
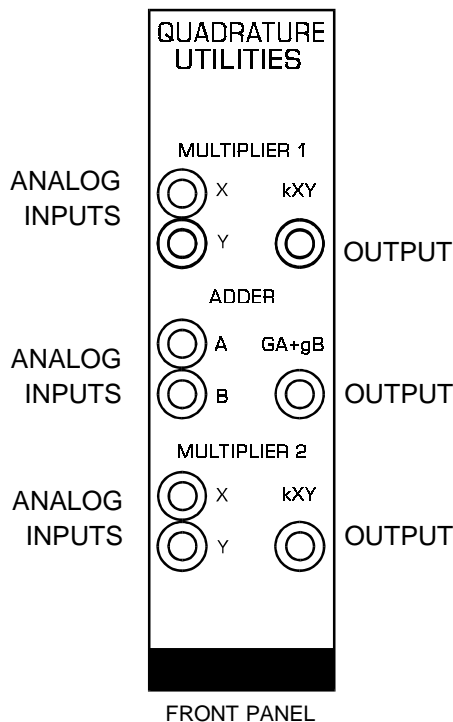
Inputs & Outputs TTL level digital signals
Input Frequency Range 0 to 300kHz

QUADRATURE UTILITIES

Three independent functions are provided: two independent multipliers and an independent adder.

Each MULTIPLIER allows two analog signals $X(t)$ and $Y(t)$ to be multiplier together. The resulting product is scaled by a factor of approximately 1/2.

The ADDER allows two input signals $A(t)$ and $B(t)$ to be added together, in adjustable proportions G and g .



BLOCK DIAGRAMS

USE

(i) MULTIPLIER 1 and MULTIPLIER 2

Each multiplier has two inputs. The inputs and outputs are DC coupled. The "k" factor (a scaling parameter associated with "four quadrant" multipliers) is approximately one half. It is defined with respect to the OUTPUT of the multiplier and may be measured experimentally.

(ii) ADDER

The adder input gains G and g can be adjusted via pcb mounted trimmers RV1 and RV3, respectively. Note that these two trimmers have knobs to allow for finger adjustment.

RV1 varies **G** and **RV3** varies **g**

BASIC SPECIFICATIONS

MULTIPLIER 1 and MULTIPLIER 2

Inputs & Outputs DC coupled

Bandwidth approx. 1MHz

Characteristic $k \cdot X(t) \cdot Y(t)$; k is approx. 1/2

ADDER

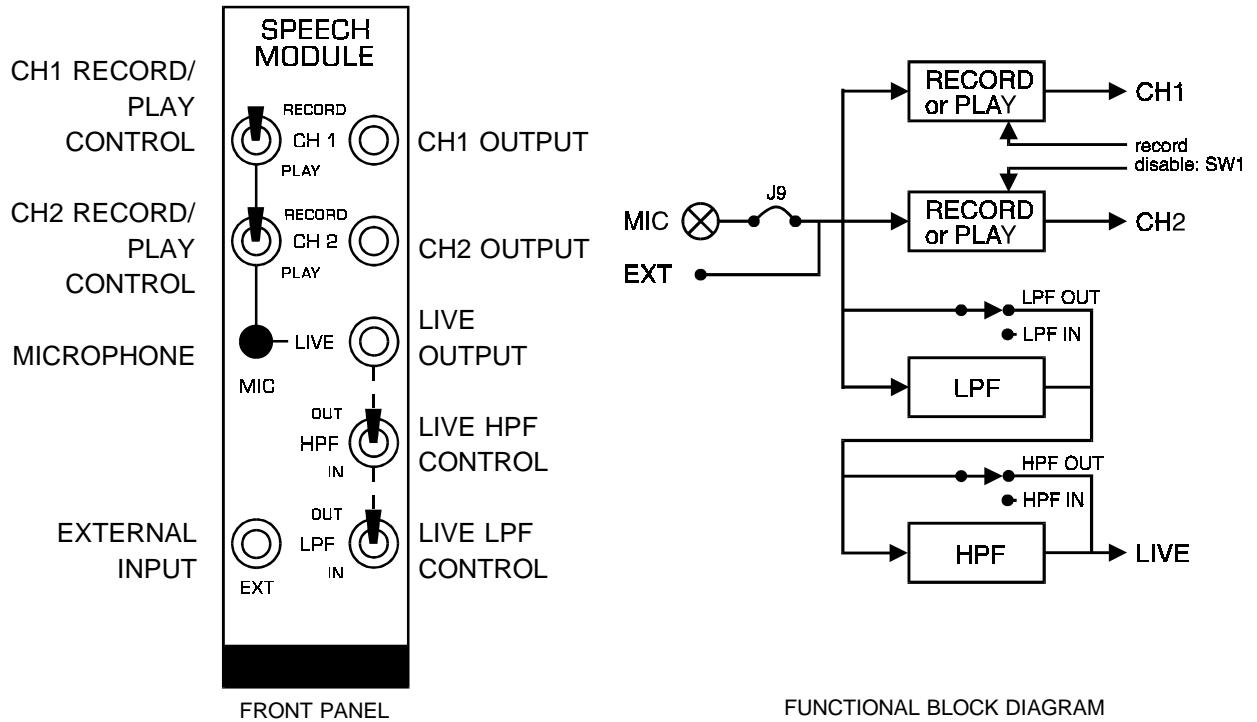
Gain range $0 < G \text{ \& } g < 1.5$

Bandwidth approx. 500kHz

SPEECH MODULE

The SPEECH module allows speech and audio signals to be recorded and replayed. Three independent channels are provided: CHANNEL 1, CHANNEL 2 and LIVE. The module includes an in-built microphone. An EXTERNAL input is also provided for recording externally generated signals.

The recorded channels' signals are band limited to 300Hz and 3.4kHz. The LIVE channel has user selectable LPF and HPF.



USE

CHANNEL 1 and CHANNEL 2

Channels 1 and 2 will each record up to 32 seconds of speech and sounds from the common **MIC**rophone input.

To record speech or other sounds on either channel, set the front panel switch to **RECORD** and speak clearly into the microphone. The length of your message may be from a few seconds up to 32 seconds. As soon as you have finished your message, set the switch to the **PLAY** position. The recorded content will automatically repeat upon switching to **PLAY**. Note that the length of the recorded message will only be the length of time the switch was in the **RECORD** position.

The recorded message is stored in non-volatile analog storage arrays and is band limited from 300Hz to 3.4kHz. Each channel has an independent Automatic Gain Control, AGC, that allows for a wide dynamic range of recorded sounds from very quiet to loud voice.

NOTE: pcb mounted switch **SW1** can be set to RECORD DISABLE, to disable the front panel **RECORD** switch of either or both channels.

LIVE CHANNEL

A third non-recordable channel is also provided where the sound at the **MIC**rophone is continuously output as an electrical signal. The LIVE channel provides four filtering options with the two front panel selectable filters: a 3.6kHz LPF and a 300Hz HPF.

INPUTS

Two input sources are provided: the **MIC**rophone input and the **EXT**ernal input. The **MIC**rophone is a sensitive, electret-type microphone which is fixed in the front panel. This one microphone is common to all three channels.

There is also a standard TIMS yellow input socket that allows electrical signals from other signal sources to be recorded and replayed. A pcb mounted jumper, **J9**, controls the input signal selection: either MIC+EXT, or EXT only.

For **MIC** only operation, leave the **EXT** input is not connected.

HEADPHONES

A pair of telecommunications-style headphones is provided, to allow the user to listen to the recorded messages by patching any one of the SPEECH module's outputs to the HEADPHONE AMPLIFIER in the TIMS System Unit.

BASIC SPECIFICATIONS

CHANNEL 1 and CHANNEL 2

Bandwidth 300Hz to 3,400Hz, fixed

Record length 0 to 32 seconds, each channel

Sampling rate 8kHz

LIVE

Filters four user selectable settings:

- (i) none;
- (ii) 300Hz HPF;
- (iii) 3.6kHz LPF;
- (iv) 300Hz HPF and 3.6kHz LPF

INPUTS

MICrophone in-built electret-type

EXTernal standard TIMS-level, 2V-pk

HEADPHONES

Included for use with HEADPHONE AMPLIFIER

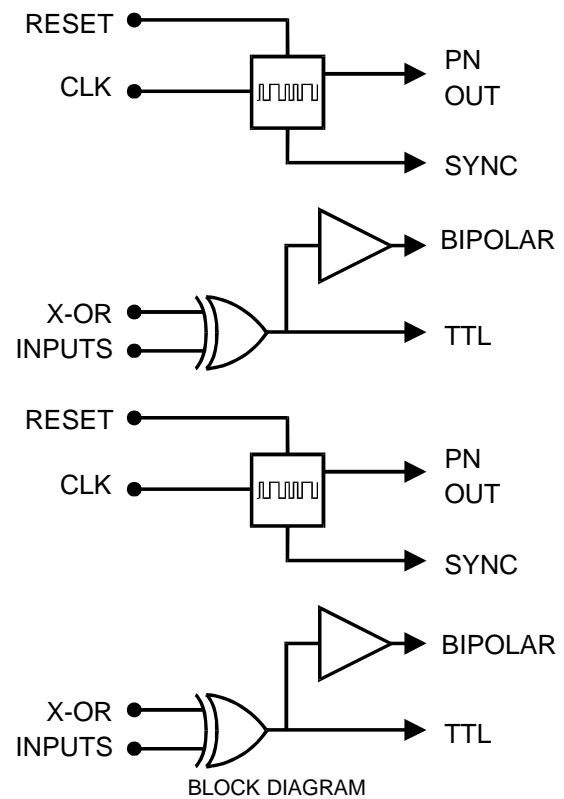
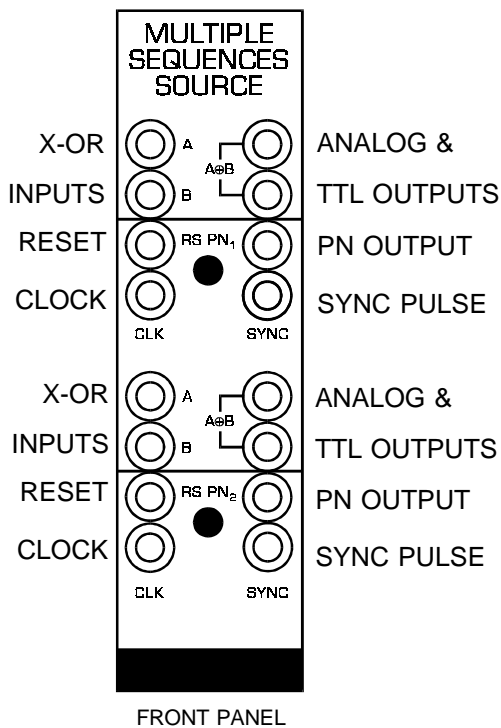
MULTIPLE SEQUENCES SOURCE

(CDMA ENCODER)

Four independent functional blocks are provided:

- (i) two independent pseudo-noise, PN, sequence generators each with 10 switch-selectable multiple length sequences of up to $2^{14}-1$ bits;
- (ii) two independent Exclusive-OR functions with analog and digital level outputs to implement modulo-2 addition.

Each PN sequence generator and EX-OR pair is used to implement a Direct Sequence Spread Spectrum, DSSS, channel. Two DSSS channels, (2 channel CDMA), can be implemented per module: additional MULTIPLE SEQUENCES SOURCE modules may be used to implement larger multi-channel CDMA schemes. The sequences are stored in EPROM and an optional TIMS-Interactive program allows the user to generate a file for programming custom EPROMs.



USE

PSEUDO-NOISE SEQUENCE GENERATORS PN₁ & PN₂

The two sequence generators are identical. Each has two TTL-level inputs and two TTL-level outputs.

Inputs

CLK is the sequence's external bit clock input. The input clock signal's frequency can range from a few hertz to over 1MHz.

The sequence may be reset by depressing the front panel push button or by applying a TTL-level HI at the **RS**, RESET, input.

Outputs

The sequence outputs are labeled **PN₁** and **PN₂** respectively.

The **SYNC** pulse is used to identify one complete repetition of the sequence. The TTL-level HI pulse at the SYNC output coincides with the first bit of the sequence.

Sequence Selection

10 switch-selectable multiple length sequences of up to $2^{14}-1$ bits are available. These are stored in EPROM and are selected via the PCB mounted switches SW1 and SW2. Each sequence generator on the module is provided with its own EPROM.

The standard EPROM provided, "PNSQ1.1", contains sequences of two fixed lengths, "long" and "short", at the following switch positions:

SW1 and SW2 POSITION	SEQUENCE LENGTH		SEQUENCE TYPE
0	$2^{14}-1$	long	maximal length
1	$2^{14}-1$	long	maximal length
2	$2^{14}-1$	long	maximal length
3	$2^{14}-1$	long	maximal length
4	2^7-1	short	maximal length
5	2^7-1	short	maximal length
6	$2^{14}-1$	long	maximal length
7	$2^{14}-1$	long	maximal length
8	2^7-1	short	maximal length
9	2^7-1	short	maximal length

Custom Sequences

As the 10 sequences are stored in a standard, commercially available EPROM, it is possible to remove the socketed EPROM supplied and replace it with an EPROM containing up to 10 custom designed sequences. Custom sequences can be designed using the optional, MATLAB-based, TIMS-Interactive program "Sequence Generation and Analysis". This TIMS-Interactive allows the user to design and analyze maximal length, non-maximal length and Gold codes of up to $2^{14}-1$ bits. "Sequence Generation and Analysis" also generates an Intel Hex file from these sequences which can be downloaded to an EPROM programmer, to program a custom EPROM.

When designing custom sequences, it is important to note that the MULTIPLE SEQUENCES SOURCE module allows 2 different sequence lengths. Sequences at switch positions 0, 1, 2, 3, 6, 7 must all be of the same length and sequences at the other switch positions, 4, 5, 8 & 9, must all be of the same length. In the standard EPROM these are identified as "long" and "short" respectively. Note that "long" and "short" may be of equal length for cases where 10 sequences of the same length are required.

EXCLUSIVE-OR LOGIC GATES

Two independent exclusive-OR gates are provided. Their TTL-level inputs A and B are exclusive-ORed and simultaneously output as TTL-level and standard TIMS-level bipolar signals. The relationship between the TTL-level and TIMS-level outputs is:

TTL-level OUTPUT	TIMS-level OUTPUT
0V	-2V
+5V	+2V

BASIC SPECIFICATIONS

PSEUDO-NOISE (PN) SEQUENCE GENERATORS

Number of Sequence Generators 2 independent PN sequence generators

CLK Input more than 1MHz, TTL-level

RESET Inputs positive going TTL-level pulse or front panel push button to reset the sequence

SEQUENCE Output TTL-level, length of up to $2^{14}-1$ bits

SYNC Output positive going, 1 bit wide, TTL-level pulse is output at the beginning of the sequence

Sequence Selection via PCB mounted 10 position rotary switch

EXCLUSIVE-OR GATES

Number of X-OR Gates 2 independent EX-OR gates

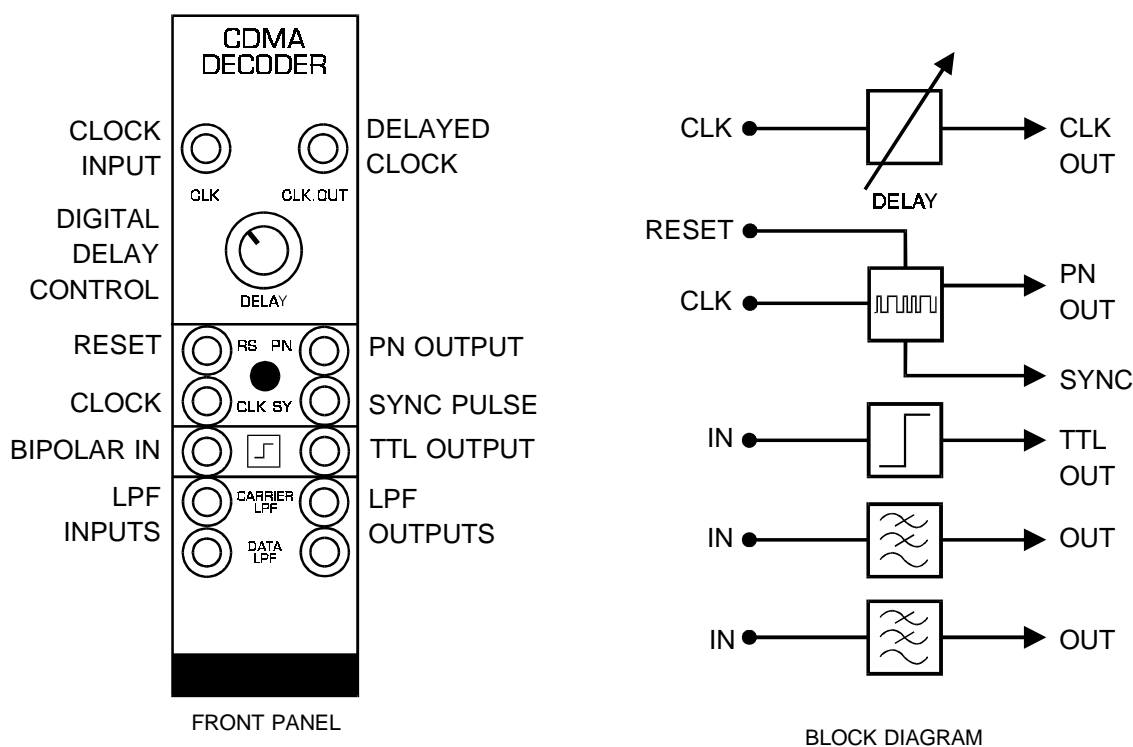
Inputs A & B TTL-level

Outputs continuous X-OR result, both TTL-level unipolar and standard TMS-level bipolar signals

CDMA DECODER

Four separate functional blocks used in realizing various DSSS and CDMA receiver structures are provided:

- (i) a variable digital delay;
- (ii) a pseudo-noise, PN, sequence generator with 10 switch-selectable multiple length sequences of up to $2^{14}-1$ bits which is identical to the sequence generators provided on the MULTIPLE SEQUENCES SOURCE module;
- (iii) a zero crossing detector, (level translator);
- (iv) two independent lowpass filters: a data stream LPF and a carrier LPF.



USE

DIGITAL DELAY

The DIGITAL DELAY functional block allows the user to manually delay a series of clock pulses from 1uS to 1ms, over two ranges. The delay within each range is continuously variable and is adjusted via the front panel **DELAY** control. The delay range is set via the PCB mounted DIP switches at SW2. See the table below for setting and timing details:

	SW2: DATA mode	SW2: CHIP mode
Switch setting	both switches ' ON '	both switches ' OFF '
Pulse width	approx. 14uS	approx. 1uS
Delay	100uS to 1,000uS	1uS to 10uS

The signal at **CLK.OUT** is a series of narrow, positive going pulses, which have been delayed with respect to the positive edge of the **CLK** input signal.

The DIGITAL DELAY may be used when it is necessary to manually align a stolen or locally regenerated DATA or CHIP clock at the receiver.

PSEUDO-NOISE SEQUENCE GENERATOR

The CDMA DECODER module's sequence generator is *identical* to the sequence generators supplied in the MULTIPLE SEQUENCES SOURCE (CDMA ENCODER) module. The generator has two TTL-level inputs, one TTL-level output and one TIMS-level bipolar output.

Inputs

CLK is the sequence's external bit clock input. The input clock signal's frequency can range from a few hertz to over 1MHz.

The sequence may be reset by depressing the front panel push button or by applying a TTL-level HI at the **RS**, RESET, input.

Outputs

The sequence output, labeled **PN**, is a TIMS-level bipolar signal.

The **SYNC** pulse is used to identify one complete repetition of the sequence. The TTL-level HI pulse at the SYNC output coincides with the first bit of the sequence.

Sequence Selection

10 switch-selectable multiple length sequences of up to $2^{14}-1$ bits are available. These are stored in EPROM and are selected via the PCB mounted switch SW1. **It is imperative that the CDMA DECODER module and MULTIPLE SEQUENCES SOURCE module both have identical version EPROMs installed when they are used in the same experiment.**

The standard EPROM provided, "PNSQ1.1", contains sequences of two fixed lengths, "long" and "short", at the following switch positions:

SW1 and SW2 POSITION	SEQUENCE LENGTH		SEQUENCE TYPE
0	$2^{14}-1$	long	maximal length
1	$2^{14}-1$	long	maximal length
2	$2^{14}-1$	long	maximal length
3	$2^{14}-1$	long	maximal length
4	2^7-1	short	maximal length
5	2^7-1	short	maximal length
6	$2^{14}-1$	long	maximal length
7	$2^{14}-1$	long	maximal length
8	2^7-1	short	maximal length
9	2^7-1	short	maximal length

Custom Sequences

As the 10 sequences are stored in a standard, commercially available EPROM, it is possible to remove the socketed EPROM supplied and replace it with an EPROM containing up to 10 custom designed sequences. Custom sequences can be designed using the optional, MATLAB-based, TIMS-Interactive program "Sequence Generation and Analysis". This TIMS-Interactive allows the user to design and analyze maximal length, non-maximal length

and Gold codes of up to $2^{14}-1$ bits. "Sequence Generation and Analysis" also generates an Intel Hex file from these sequences which can be downloaded to an EPROM programmer, to program a custom EPROM.

When designing custom sequences, it is important to note that the MULTIPLE SEQUENCES SOURCE module allows 2 different sequence lengths. Sequences at switch positions 0, 1, 2, 3, 6, 7 must all be of the same length and sequences at the other switch positions, 4, 5, 8 & 9, must all be of the same length. In the standard EPROM these are identified as "long" and "short" respectively. Note that "long" and "short" may be of equal length for cases where 10 sequences of the same length are required.

ZERO CROSSING DETECTOR

The ZERO CROSSING DETECTOR is used as a level translator to convert a recovered bipolar data stream to a TTL-level signal.

The input accepts standard TMS-level bipolar signals. The output is a TTL-level HI, +5V, if the input signal is a positive voltage. A negative voltage at the input will result in the output being a TTL-level LO, 0V.

LOWPASS FILTERS

Two independent lowpass filters, a DATA FILTER and a CARRIER FILTER, are provided to simplify the implementation of various CDMA receiver structures.

The DATA FILTER is a 7th order Butterworth lowpass filter with a cut-off frequency of approximately 2kHz.

The CARRIER FILTER is a 7th order Butterworth lowpass filter with a cut-off frequency of approximately 120kHz.

BASIC SPECIFICATIONS

VARIABLE DIGITAL DELAY

Delay Ranges 1uS to 10uS and 100uS to 1mS continuously variable with each range

Input and Output TTL-level only

PSEUDO-NOISE SEQUENCE GENERATOR

CLK Input more than 1MHz, TTL-level

RESET Inputs positive going TTL-level pulse or front panel push button to reset the sequence

SEQUENCE Output TMS-level bipolar, length of up to $2^{14}-1$ bits

SYNC Output positive going TTL-level pulse is output at the beginning of the sequence

Sequence Selection via PCB mounted 10 position rotary switch

ZERO CROSSING DETECTOR

Input bipolar

Output TTL-level

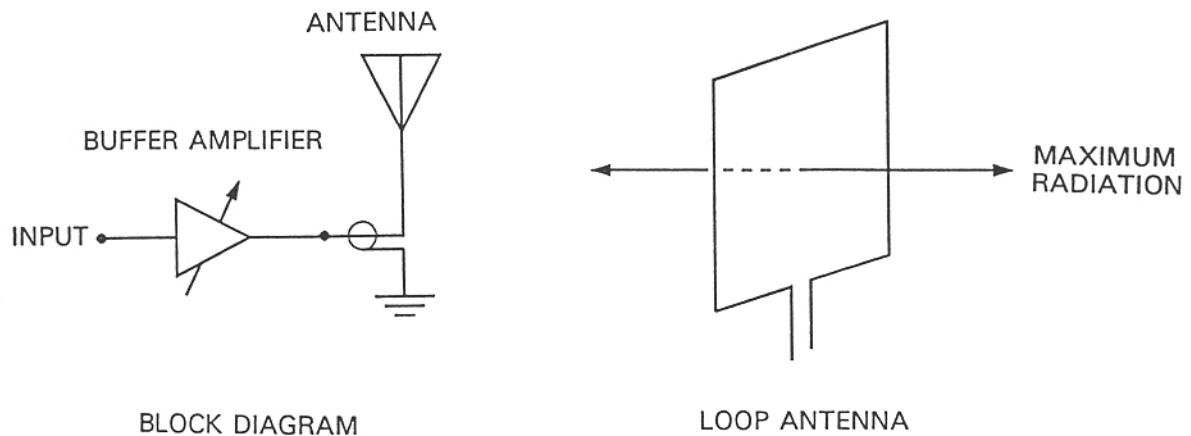
LOWPASS FILTERS

CARRIER Filter approx. 120kHz, 7th order Butterworth

DATA Filter approx. 2kHz, 7th order Butterworth

100kHz TX ANTENNA

A loop antenna to broadcast signals at or near the TIMS "carrier frequency" of 100kHz. A single BUFFER AMPLIFIER is normally used to drive the ANTENNA.



USE

POSITIONING

The ANTENNA should always be placed on top of the TIMS-301 system unit. Ensure that the TIMS-301's front feet are folded back, so the top of the system unit is not sloping.

Always be aware that the maximum signal radiation is in the direction of the loop's opening: perpendicular to the plane of the loop.

CONNECTION

The transmitter antenna system is set-up for operation by connecting the ANTENNA's coaxial cable active (red) plug-in to the BUFFER AMPLIFIER output and the 'shield' (black) plug into the TIMS-301's green GROUND socket: **BOTH CONNECTIONS MUST BE MADE FOR CORRECT ANTENNA OPERATION.**

The signal to be broadcast is connected to the BUFFER AMPLIFIER module's input socket. Use an oscilloscope to monitor the amplitude of the signal going into the ANTENNA. Adjust the the amplitude of the driving signal using the BUFFER AMPLIFIER module's **GAIN** control. The amplitude of the driving signal should be in the range of 4V pk-pk to 10V pk-pk (max). Never allow the amplitude to exceed 10V pk-pk.

BASIC SPECIFICATIONS

Antenna Type tuned, wire-wound loop antenna

Feed low impedance coaxial cable, with 4mm terminals

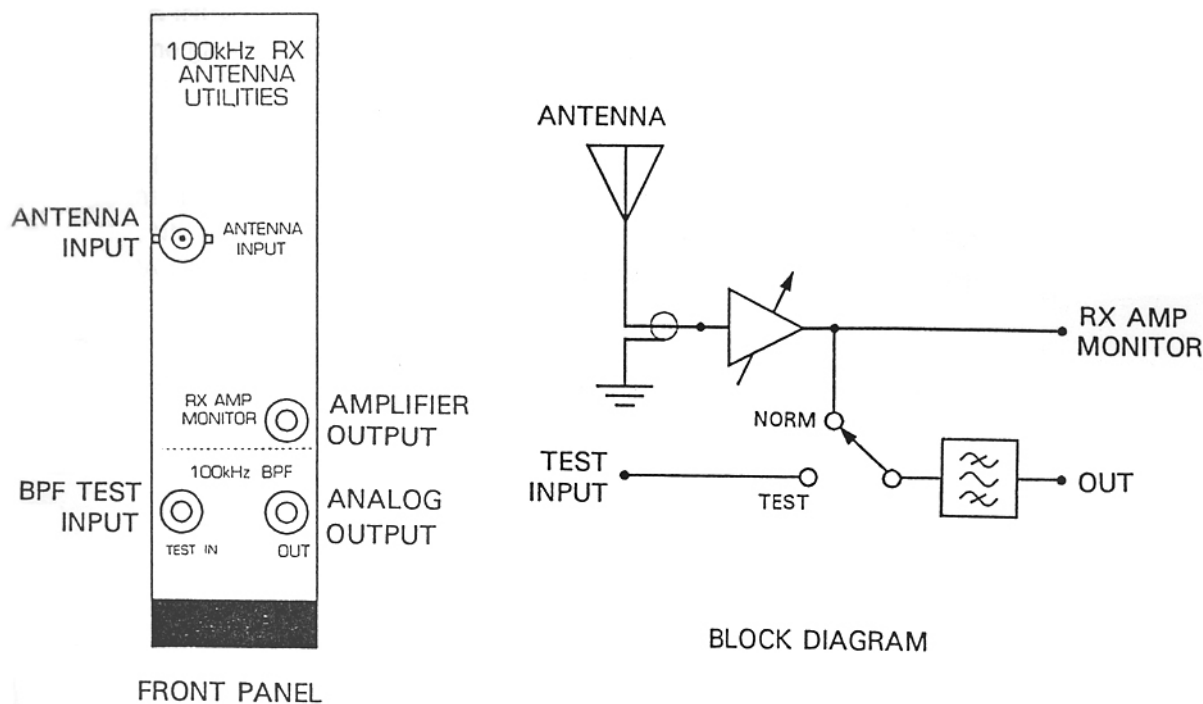
Resonant Frequency approx. 100kHz

Usable Frequency Range 75kHz to 125kHz

100kHz RX ANTENNA UTILITIES

A loop antenna designed for operation in the long wave and medium wave frequency ranges.

The UTILITIES module includes a high gain, broad band amplifier and a separate 100kHz band pass filter.



USE

POSITIONING

The ANTENNA should always be placed on top of the TMS-301 system unit. Ensure that the TMS-301's front feet are folded back, so the top of the system unit is not sloping.

Always keep in mind that the loop antenna has directional characteristics. Maximum sensitivity is in the direction of the loop's opening: perpendicular to the plane of the loop.

The TX and RX antennas should always be directly facing each other: the planes of their loops should be in parallel.

The received signal is amplified and available at the **RX AMP MONITOR** output. The gain of the amplifier is continuously variable, from x100 to approx. x1,000. PCB mounted trimmer, RV1, varies the amplifier's gain.

The amplified signal can also be filtered by the module's 100kHz BPF.

The **TEST IN** socket is provided to allow the BPF to be characterised, if necessary. **TEST IN** is directly connected to the BPF input when the PCB mounted **MODE** switch, SW1, is in the **TEST** position.

The PCB mounted **MODE** switch, SW1, must otherwise be left in the **NORMAL** position.

CONNECTION

- Antenna Output.

Attach the antenna's coaxial cable directly to an oscilloscope or spectrum analyser, to view the signals received by the ANTENNA.

- Amplified Antenna Output

Attach the antenna's coaxial cable directly to the 100kHz RX ANTENNA UTILITIES module's **ANTENNA INPUT**. Use the **RX AMP MONITOR** output to view or demodulate the received signals. The gain of the AMPLIFIER can be adjusted by varying the PCB mounted trimmer, RV1.

- Receiving a Broadcast TIMS Signal.

Ensure that the PCB mounted **MODE** selector switch, SW1, is in the **NORMAL** position. Attach the ANTENNA's coaxial cable directly to the 100kHz RX ANTENNA UTILITIES module's ANTENNA INPUT. Use the 100kHz BPF's **OUT** socket, to view or demodulate the received signals.

It is instructive to compare this amplified and filtered output signal with those obtained previously.

BASIC SPECIFICATIONS

ANTENNA

Antenna Type tuned, wire-wound loop antenna

Feed low impedance coaxial cable, with BNC type connector

Resonant Frequency approx. 100kHz

Usable Frequency Range 75kHz to 125kHz

100kHz RX UTILITIES MODULE

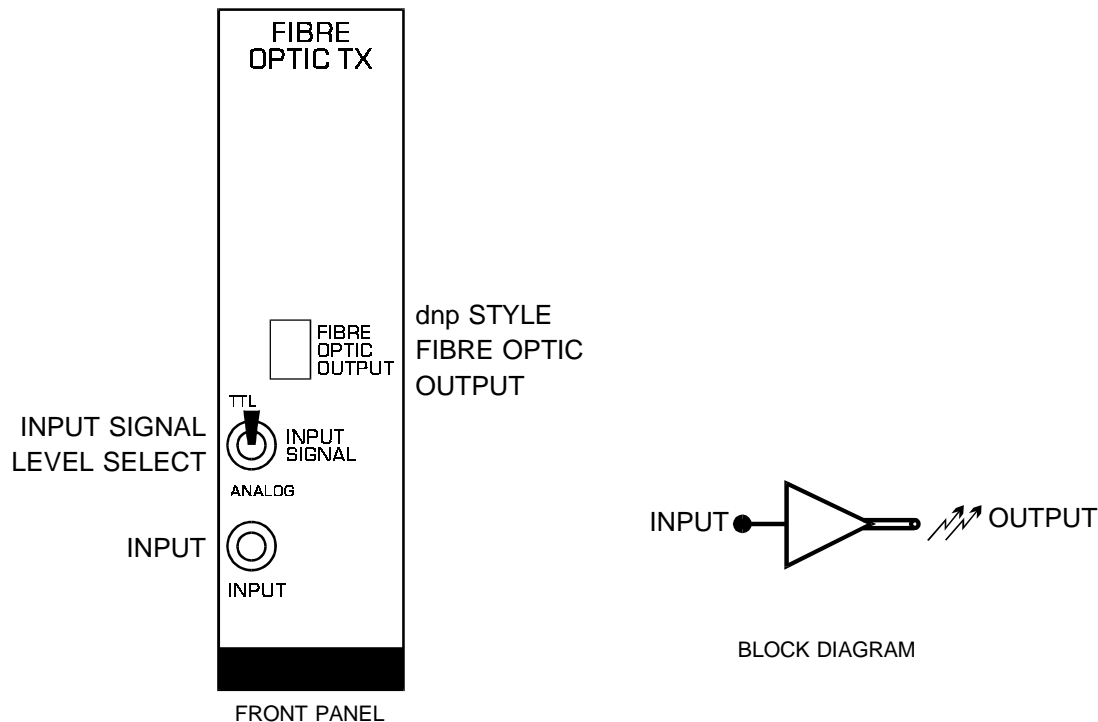
Amplifier Gain x100 to x1000 (typ)

Amplifier Usable Frequency Range 10Hz to 1MHz

BPF Usable Frequency Range 90kHz to 110kHz

FIBRE OPTIC TRANSMITTER

A fibre optic transmitter which converts electrical signals into optical signals in the visible spectrum. Any analog or digital signal that can be generated on TIMS may be transmitted.



USE

The signal to be transmitted is applied to the **INPUT** terminal. The **INPUT SIGNAL** switch must be selected to identify the input signal's format: **TTL** refers to TTL-level signals and **ANALOG** refers to TIMS-level signals. The input signal frequency may be from DC up to 1MHz.

FIBRE OPTIC DEVICE AND CONNECTOR

A high radiance LED is used to convert the electrical signal to a visible red light signal. The LED's peak spectral output is approximately 660nm.

The output connector is a 'dnp' type, which interfaces to a sheathed, 1mm polymer fibre optic cable. Typical attenuation for the polymer fibre is typically 200dB/km at 665nm and 1500dB at 820nm.

CAUTION: the polymer fibre cable has a minimum bend radius of 100mm.

BASIC SPECIFICATIONS

Input TTL level digital signal, or, standard TIMS level analog signal, switch selectable

Input Frequency Range DC to <1MHz

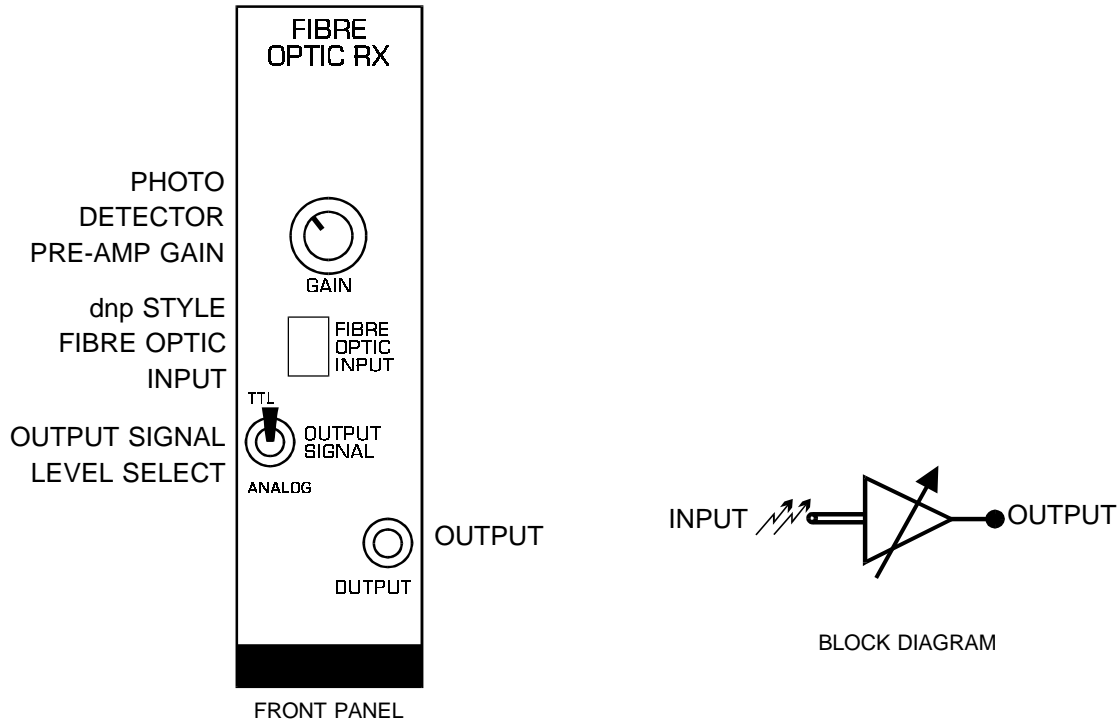
Fibre Optic Device high radiance GaAsP LED, 660nm peak spectral output

Fibre Optic Connector System single way, 'dnp' (dry non-polish) system

Fibre Optic Cable 1mm, polymer, single core fibre optic cable, sheathed in polyethylene

FIBRE OPTIC RECEIVER

A fibre optic receiver which converts optical signals in the visible spectrum into electrical signals. Output signals may be analog or digital level.



USE

The signal received is applied to the **FIBRE OPTIC INPUT** connector. The **OUTPUT SIGNAL** switch must be selected to identify the output signal's required format: **TTL** refers to TTL-level signals and **ANALOG** refers to TIMS-level signals.

The **GAIN** knob controls the gain to the photo detector's pre-amplifier. It may be used to control the amplitude of the **OUTPUT** signal.

FIBRE OPTIC DEVICE AND CONNECTOR

A high speed PIN photo diode is used to convert a visible red light signal to an electrical signal. The PIN photo diode's peak spectral output is approximately 800nm.

BASIC SPECIFICATIONS

Fibre Optic Device high speed, low noise PIN photo diode, 800nm peak spectral input

Fibre Optic Connector System single way, 'dnp' (dry non-polish) system

Fibre Optic Cable 1mm, polymer, single core fibre optic cable, sheathed in polyethylene

Output TTL level digital signal, or, standard TIMS level analog signal, switch selectable

Output Frequency Range DC to <1MHz